

2U Type Industrial Power Supply

EFAP-552 (New)

EPS2U



Dimensions: 106(W) x 82.5(H) x 290(D) mm

550 watts Output Power

Support to Dual Nocona Processors

Four sets of +12V Output Rails

Meet 240VA limited Configuration

EPS2U Application for Rack Mount System

Features:

- ⊙ Universal Power Input
- ⊙ Active Power Factor Correction
- ⊙ Dual +12V Output Rails
- ⊙ Dual Processors Application
- ⊙ Remote DC Sense on +5V and +3.3V
- ⊙ Short Circuit Protection
- ⊙ Over Current Protection
- ⊙ Over Voltage Protection
- ⊙ Over Power Protection
- ⊙ MTBF >100,000 Hours

General Specifications:

- ⊙ Input Range: 100 to 240 VAC, +/-10%
- ⊙ Power Factor: 0.95 minimum
- ⊙ Efficiency: 70% minimum, at full load
- ⊙ Hold up Time: 20mS minimum, at full load
- ⊙ PSON (Remote ON/OFF): TTL compatible signal
- ⊙ Power Good: 100 to 500 ms, TTL compatible signal
- ⊙ Cooling Fan: 80x80x25 mm (SANYO)
- ⊙ Operating Temperature: 0 to 50°C
- ⊙ Operating Humidity: 20 to 90 %

Agency Requirements:

- ⊙ Harmonic: Meet EN61000-3-2 standards
- ⊙ EMI/RFI: CE, FCC class B and CISPR class B
- ⊙ Safety: UL, cUL, CB, TUV

Electrical Specifications:

Regulation, Ripple & Noise:

Output	+5V	+3.3V	+12V1	+12V2	+12V3	+12V4	-5V	-12V	5Vsb
Load Regulation	± 5%	± 5%	± 5%	± 5%	± 5%	± 5%	-	± 5%	± 5%
Cross Regulation	± 5%	± 5%	± 5%	± 5%	± 5%	± 5%	-	± 5%	± 5%
Line Regulation	± 1%	± 1%	± 1%	± 1%	± 1%	± 1%	-	± 1%	± 1%
Ripple & Noise	50mV	50mV	120mV	120mV	120mV	120mV	-	120mV	50mV

Input and Output Ratings:

Input			Output										
Voltage	Frequency	Current	Watt	Load	+5V	+3.3V	+12V1	+12V2	+12V3	+12V4	-	-12V	5Vsb
100-240 VAC	47-63 Hz	10-5A	550W	Max Load	20A	24A	15A	15A	15A	15A	-	0.8A	2A
				Min Load	1A	1A	1A	1A	1A	-	0A	0A	

Note: 1. The +5 & +3.3 Volt combine total output shall not exceed 140W

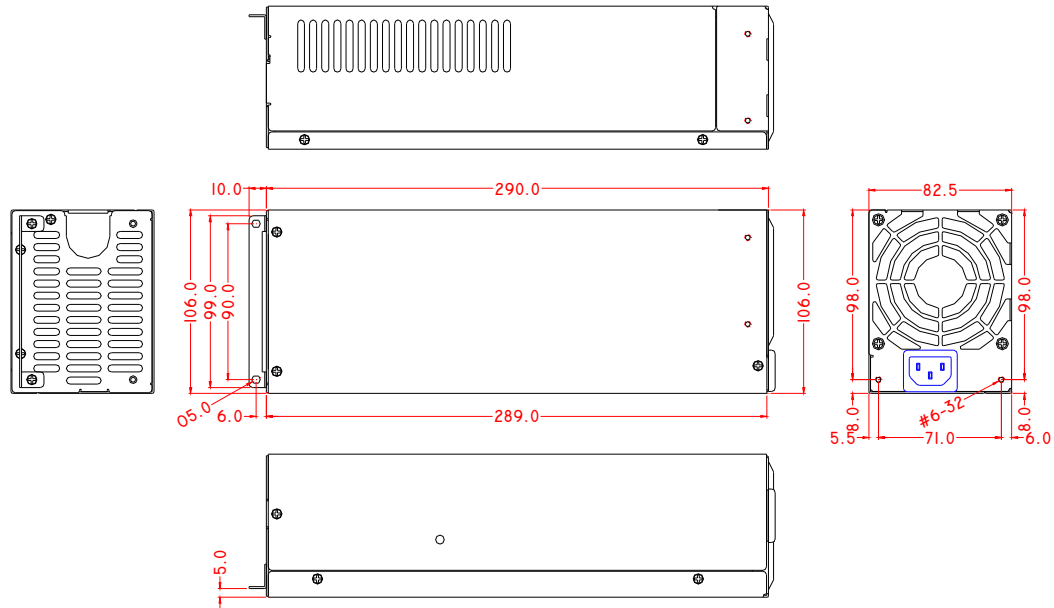
2. The +5, +3.3 and +12 Volt combine total output shall not exceed 540W

3: Noise bandwidth is from DC to 20 MHz.

2U Type Industrial Power Supply

EFAP-552

Dimensions (Unit: mm):



Rev: 1.0 , Apr. 22, 04