



Industrial Single Board Computer

Half-size PISA CPU Card

HS-871P

Half-size CPU Card

Intel Mobile Celeron with DDR266

Onboard VGA, Gigabit LAN, Compact Flash

LVDS, USB2.0



| | |
|------------------------------|--|
| Form Factor | Half-size PISA bus CPU Card |
| CPU | Intel Socket479 bundled with Mobile Celeron 1.2GHz processor Built-in L2 Cache: 256KB |
| Memory | 1 x 184-pin DDR266 SDRAM up to 1GB non-ECC, Un-buffered supported |
| Chipset | Intel 82852GM and ICH4 |
| Real Time Clock | Chipset integrated RTC with onboard lithium battery |
| Watchdog Timer | Generates a system reset with internal timer for 1min ~ 255min |
| Power Management | ACPI 1.0 compliant, supports power saving mode with ATX PSU |
| PCI Enhanced IDE | Dual UltraATA/100 IDE channels up to 4 ATAPI devices Onboard 40-pin IDE1 connector & 44-pin IDE2 connector |
| VGA Interface | Intel 852GM integrated Extreme Graphic Technology |
| Video Memory | Up to 64MB shared with system memory |
| LCD interface | 24-bit dual channel LVDS interface up to 1400 x 1050 of resolution |
| Audio Interface | Intel ICH4 integrated with Realtek ALC201A AC97 Codec |
| LAN Interface | Intel 82540EM Gigabit Ethernet Controller |
| Solid State Disk | 1 x Compact Flash Socket IDE1 supports DiskOnModule with +5V power supply |
| GPIO interface | Onboard programmable 8-bit Digital I/O interface |
| Internal I/O Port | 1 x internal parallel and IrDA ports and 1 x 5-pin LCD inverter connector 2 x USB 2.0 ports, 1 x FDD port and 1 x RS232 serial port 1 x onboard 5-pin AT keyboard port |
| External I/O Port | 1 x RJ45 LAN ports, 1 x DB15 VGA port and 1 x PS/2 Keyboard/Mouse Port 1 x RS232 Serial Port |
| Power Requirement | +5V, +12V DC input |
| Board Dimension | 185 x 127 mm (L x W) |
| Operation Temperature | 0 ~ 60 °C (32 ~ 140 °F) |

Online product information detail and updates are available at www.commell.com.tw

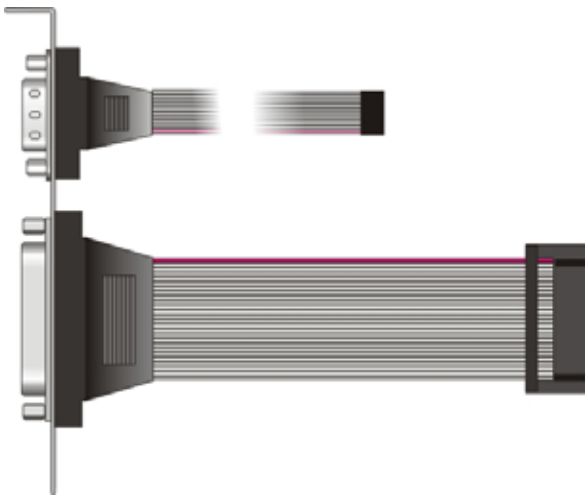
Cable Kit



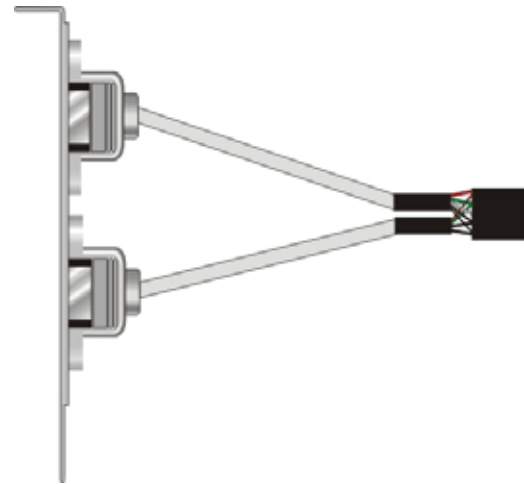
40-pin ATA100 IDE Cable x 1



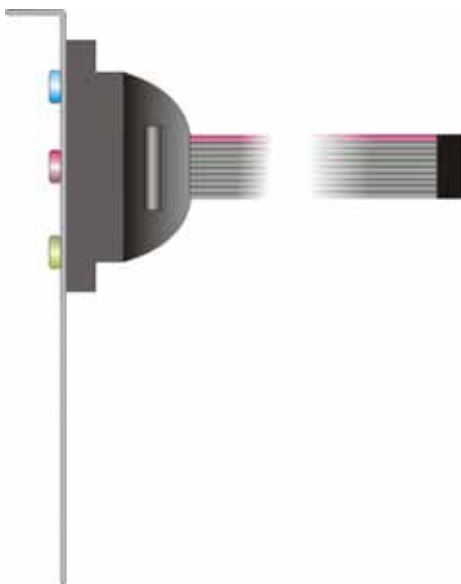
Floppy flat cable x 1



DB25 & DB9 cable with bracket x 1



Dual USB cable with bracket x 1



Audio cable with bracket x 1



4-pin to 3-pin ATX cable x 1



PS/2 Keyboard & Mouse Cable x 1

Ordering Code **HS-871P** Intel Mobile Celeron Half-size **PISA Bus** CPU Card with bundled Mobile Celeron 1.2GHz, onboard VGA, Gigabit LAN, USB 2.0 Ports, Audio, LVDS, RS232 serial port, Compact Flash Socket
