



Flight
LT
60x15

CR0612HB-
D71GL

-032686- No

(Family)

(Model)

(Part #)

(In
Stock)

Electrical Specifications

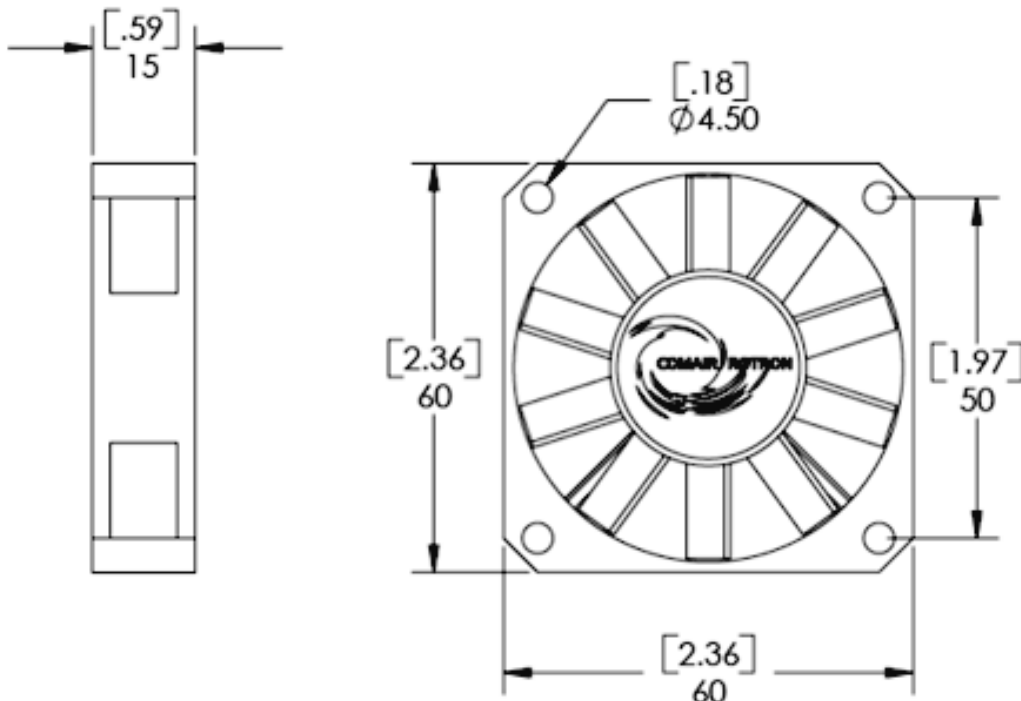
Operating Voltage:	12 Volts
Voltage Range:	10.8 - 13.2 Volts
Power Supply:	1.6 Watts
Line Current:	0.13 Amps
Locked Rotor Current	0.13 Amps
Nominal Speed:	4500 RPM

Mechanical Specifications

Dimensions:	2.4 x 2.4 x 0.6 in
Weight	1.34 oz
Max Airflow @ 0 in H ₂ O	16.6 CFM
Max Pressure @ 0 CFM	0.150 in H ₂ O
Noise	32.4 dBA



Mechanical Drawing





Fan Performance Curve

Fan Configuration Options

Flight LT 60x15
(Family)

CR0612HB-D71GL
(Model)

/ 032686
(Part #)

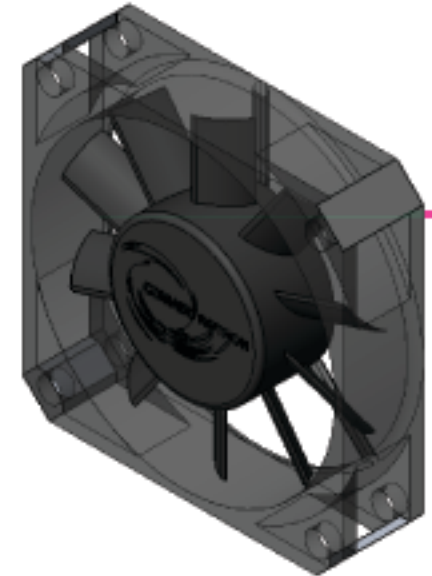
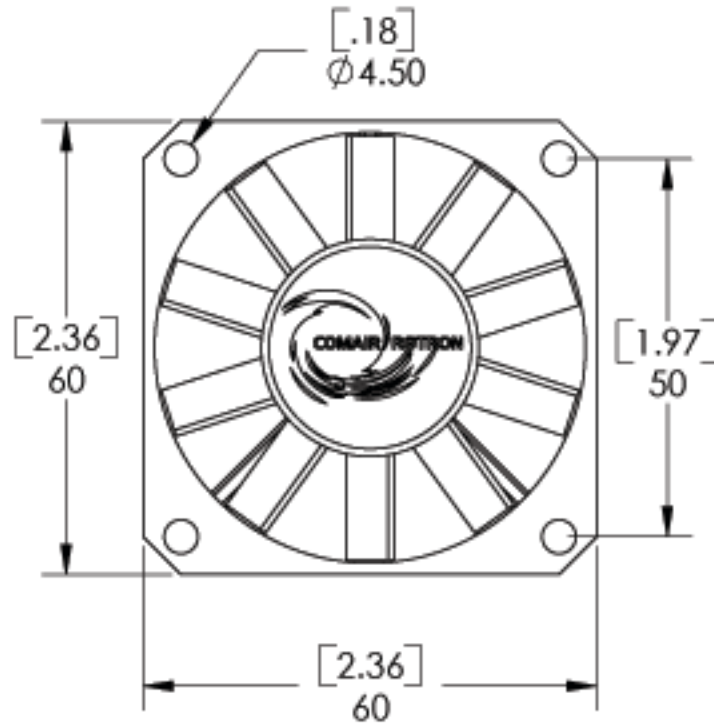
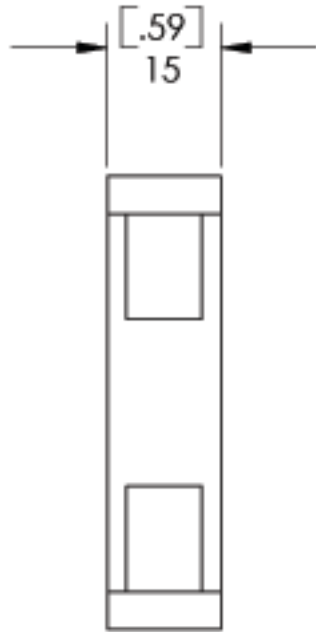
No
(In Stock)

Fan Speed:	4500 RPM	Fan Bearings:	Ball Bearings
Fan Airflow Direction:	Flow R (CCW Rotation)	Fan Termination:	Leads

Fan Monitoring Options: No Fan Monitoring Options Selected

Fan Speed Control Option: No ThermaPro-V Fan Speed Control Options Selected

Environmental Protection Options: No Enviroshield Options Selected



	ALL MATERIAL MUST BE RoHS COMPLIANT	
	CONTACT INFO: WWW.COMAIRROTRON.COM	
TOLERANCE UNLESS OTHERWISE SPECIFIED SPL. DEC. ± .05 (.0) 2 PL. DEC. ± .002 (.0) ANGULAR ± 30' SURFACE ✓	3D MODEL FOUND AT..	PART WEBPAGE
		
FLIGHT LT 60 X 15		