



**Flight II 60 - FS12B3 - 031156 - No**  
 (Family) (Model) (Part #) (In Stock)

**Electrical Specifications**

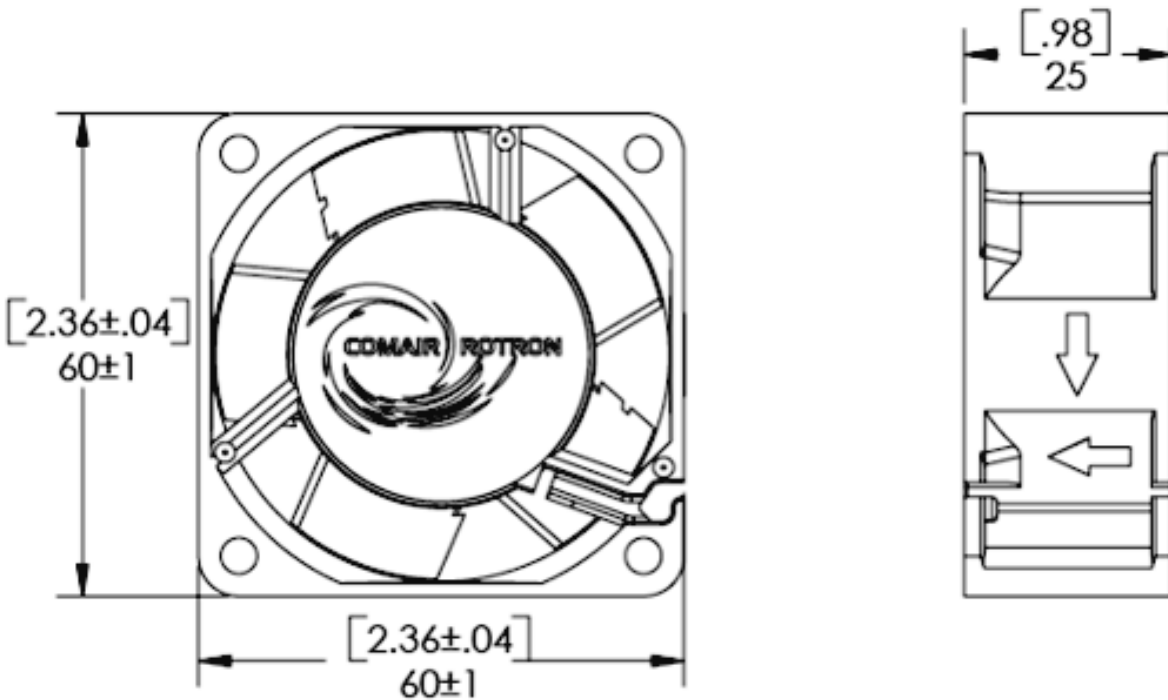
Operating Voltage:	12 Volts
Voltage Range:	6 - 14 Volts
Power Supply:	2.5 Watts
Line Current:	0.21 Amps
Locked Rotor Current	0.85 Amps
Nominal Speed:	5000 RPM

**Mechanical Specifications**

Dimensions:	2.4 x 2.4 x 1.0 in
Weight	3.88 oz
Max Airflow @ 0 in H <sub>2</sub> O	18.0 CFM
Max Pressure @ 0 CFM	0.300 in H <sub>2</sub> O
Noise	33.9 dBA



**Mechanical Drawing**



Comair Rotron, Inc.

Comair Rotron Europe, Ltd.

Comair Rotron Fan Company Ltd.

**Phone: 858.348.6200**  
**sales@comairrotron.com**

**Phone: +44.1527.520525**  
**saleseurope@comairrotron.com**

**Phone: +86.21.52260581**  
**salesasia@comairrotron.com**

**Print Date: Wednesday, March 12, 2008 at 04:34:49 - DC Fan Datasheet - Web Version 1.0 Rev. B**



## Fan Performance Curve

## Fan Configuration Options

<b>Flight II 60</b> (Family)	<b>FS12B3 / 031156</b> (Model)	<b>No</b> (In Stock)	<b>305 mm [12 inch] Leads</b> (Features)
---------------------------------	-----------------------------------	-------------------------	---

<b>Fan Speed:</b>	<b>5000 RPM</b>	<b>Fan Bearings:</b>	<b>Ball Bearings</b>
<b>Fan Airflow Direction:</b>	<b>Flow R (CCW Rotation)</b>	<b>Fan Termination:</b>	<b>Leads</b>

**Fan Monitoring Options:** No Fan Monitoring Options Selected

**Fan Speed Control Option:** No ThermaPro-V Fan Speed Control Options Selected

**Environmental Protection Options:** No Enviroshield Options Selected

**Comair Rotron, Inc.**  
Phone: 858.348.6200  
sales@comairrotron.com

**Comair Rotron Europe, Ltd.**  
Phone: +44.1527.520525  
saleseurope@comairrotron.com

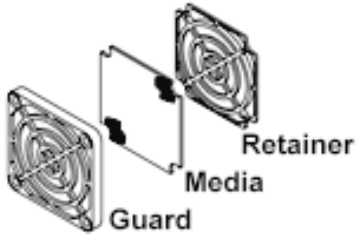
**Comair Rotron Fan Company Ltd.**  
Phone: +86.21.52260581  
salesasia@comairrotron.com

Print Date: Wednesday, March 12, 2008 at 04:34:49 - DC Fan Datasheet - Web Version 1.0 Rev. B



## Accessories (Click on part number for detailed drawing.)

**557239**  
**Filter Guard Assembly**



**572621**  
**Finger Guard**



**Comair Rotron, Inc.**  
Phone: 858.348.6200  
sales@comairrotron.com

**Comair Rotron Europe, Ltd.**  
Phone: +44.1527.520525  
saleseurope@comairrotron.com

**Comair Rotron Fan Company Ltd.**  
Phone: +86.21.52260581  
salesasia@comairrotron.com

Print Date: Wednesday, March 12, 2008 at 04:34:49 - DC Fan Datasheet - Web Version 1.0 Rev. B