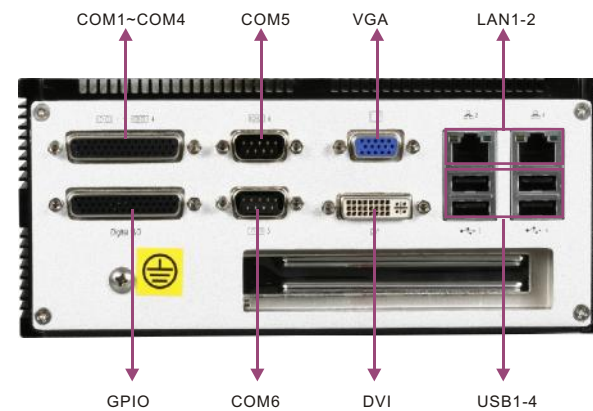


# MEC-5003

Dual-core Fanless Embedded PC



## Specifications

### System

Processor	Onboard Intel® dual Core L2400 1.66GHz (Celeron M 440/423 and T2500 CPU with Socket 479 compatible), with 533/667MHz FSB
Chipset	Intel® 945GM+ICH7
Memory	Onboard 512MB DDR2 400/533memory(supports up to 1GB)
Expansion Interface	1 x PCI-Express x4, 1 x PCI

### Storage

IDE	1 x 44-pin ultra ATA 100 interface
Serial ATA	2 x serial ATA 150MB/S interface
Floppy	N/A
CF	1 x CompactFlash socket type I/II(optional)
DOC/DOM	N/A

### I/O Interface

USB	6 x USB2.0 port(2 x USB at the front panel, 4 x USB at the rear panel)
Serial Port	4 x RS-232 COM1-COM4, 2 x RS232/422/485(COM5 and COM6)
Parallel Port	N/A
IrDA	N/A
GPIO	Supports 8-channel digital input and 8-channel digital output
Audio	Onboard Realtek ALC888, supporting HD Audio, with Speaker-out and Mic-in

## Features

- Onboard Intel® Core® L2400(standard), dual-core T2500, Intel® Celeron® M 440, 423 CPU compatible with Socket 479
- Onboard 512MB DDR2 memory, up to 1GB(optional)
- Supports 1 x HDD space, suitable for one IDE laptop HDD or one SATAHDD
- Supports 2 x 10/100Mbps RJ45 port (one expandable up to 1000Mbps)
- Supports 6 x USB 2.0, 6 x RS-232, 1 x VGA, 1 x DVI, 1 x 25-pin GPIO, 1 x PS/2 ports(KB/MS), 2 x audio

### Display

Chipset	Intel® 945GM integrated
Memory	128MB shared memory
Resolution	VGA mode up to 2048 x 1536@75Hz
Dual Display	Supports CRT+DVI independent dual display

### Ethernet

Chipset	Intel® EP 82562ET+RTL8139
Speed	2 x 10/100Mbps or 1 x 10/100Mbps and 1 x 10/100/1000Mbps
Connector	2 x RJ45

### Mechanical and Environmental

Dimensions	200mm(W) x 88mm(H) x 270mm(D)
Reliability	MTBF ≥ 30000h; MTTR ≤ 0.5h
Operating Temperature	-15 C~60 C
Storage Temperature	-30 C~65 C
Operating Humidity	20%-93%, 40 C non-condensing

### Power

Power Supply	Supports DC 9V~30V direct input or external 60W AC power adaptor with input AC 100-240V 50/60Hz
--------------	---

### Power Consumption

Power Consumption	N/A
-------------------	-----

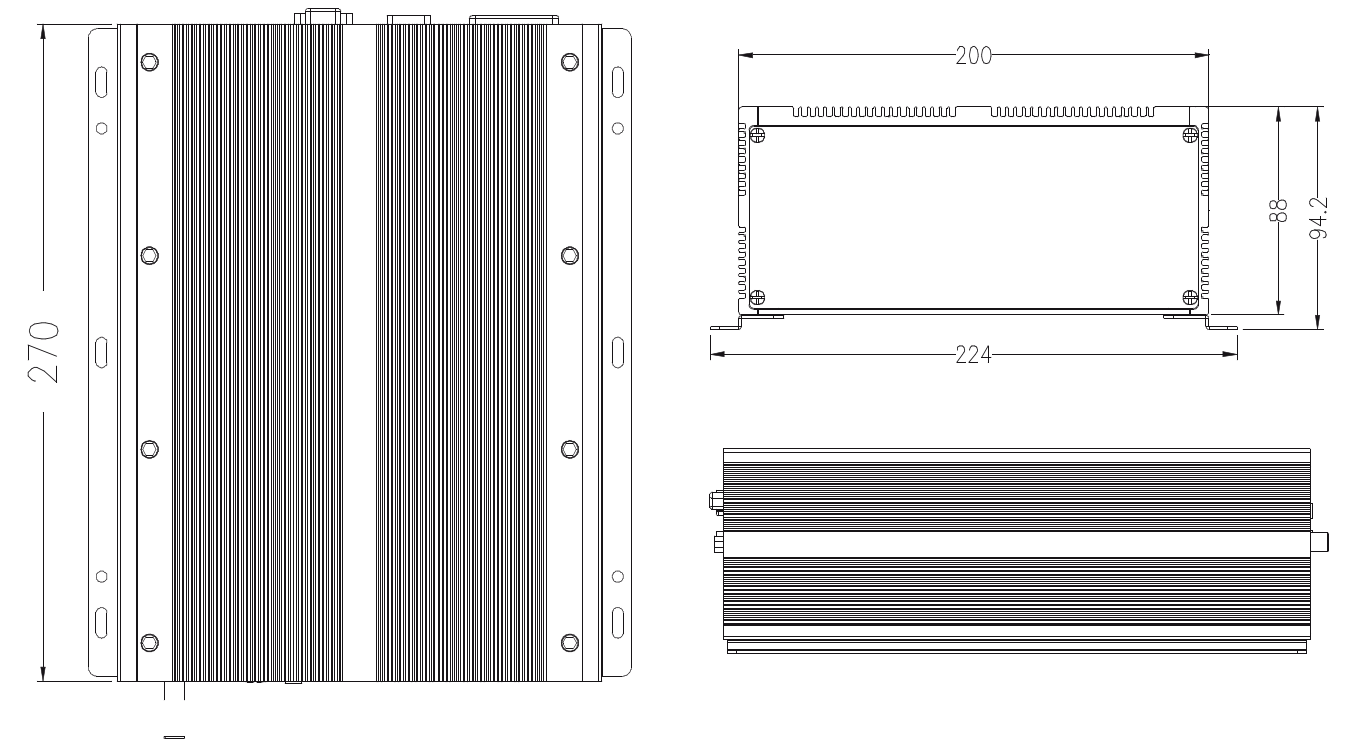
### Operating System

Windows OS	Windows 98SE/Windows 2000/ Windows XP
Embedded OS	Linux/XP Embedded/Window CE

### Test

Vibration	5-19Hz/1.0mm amplitude; 19-200Hz/1.5g acceleration
Shock	15g acceleration, 11ms duration
EMC/EMI	GB9254-1998 Class A

## Dimensions



## Available Accessories

Part Number	Name	Description	Qty.
2360-015381	AC power cable/RoHS	AC power male connector to 2 Pin female connector, length: 1500mm	1
2391-000531	Screw/RoHS	M3x6 with washer/GB9074.4-88/nickel plating	6
2391-004181	Flat washer/RoHS	Nickel plating	6
0090-000850	Converting board	PCI-ECS1811	1
1479-001691	Mounting bracket/5003/RoHS	Blank/276x48x1.2/nickel plating	2
2100-057491	Power supply/RoHS	120W/PAC120F output +12V/10A round head 4 Pin	1
2402-000371	White box/RoHS	157x96x43/FSP090-1ADC21/MEC5003-P03	1
	Driver CD/RoHS	MEC-5003	1
	User's Manual/RoHS	MEC-5003	1

## Ordering Information

Part Number	Model Number	Description
0010-015731	MEC-5003-01/ECS-1811LD2NA-L2400	Complete PC/English version/RoHS: L2400/512M/80G/ECS-1811LD2NA/FSP090-1 ADC21
0010-015741	MEC-5003-02/ECS-1811LD2NA/T2500	Complete PC/English version/RoHS: T2500/512M/80G/ECS-1811LD2NA/FSP090-1 ADC21
0010-015751	MEC-5003-03/ECS-1811LD2NA/CM-440	Complete PC/English version/RoHS: Celeron® M 1.86G/512M/80G/ECS-1811LD2NA/FSP090-1 ADC21
0010-015761	MEC-5003-04/ECS-1811LD2NA-M423	Complete PC/English version/RoHS: Celeron® M 1.07G/512M/80G/ECS-1811LD2NA/FSP090-1 ADC21
0020-035661	MEC-5003/no power supply/no backplane/M423, L2400	Empty chassis/English version/RoHS: MEC-5003/no power supply/no backplane
0020-035651	MEC-5003/no power supply/no backplane/M440, T2500	Empty chassis/English version/RoHS: MEC-5003/no power supply/no backplane
0010-002241	MEC-5003-01/ECS-1811LD2NA-L2400	Complete PC/RoHS: L2400/512M/80G/ECS-1811LD2NA/FSP090-1 ADC21/MEC-5003
0010-002211	MEC-5003-02/ECS-1811LD2NA	Complete PC/RoHS: T2500/1G/80G/ECS-1811LD2NA/FSP090-1 ADC21/MEC-5003
0010-002251	MEC-5003-03/ECS-1811LD2NA-CM-440	Complete PC/RoHS: Celeron® M 1.86G/512M/80G/ECS-1811LD2NA/FSP090-1 ADC21/MEC-5003
0010-002231	MEC-5003-04/ECS-1811LD2NA-M423	Complete PC/RoHS: Celeron® M 1.07G/512M/80G/ECS-1811LD2NA/FSP090-1 ADC21/MEC-5003