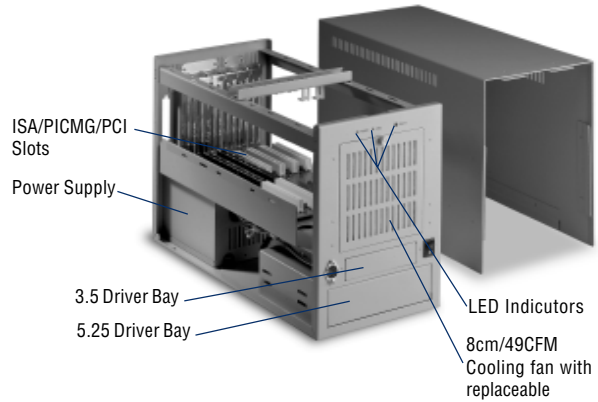


IEC-761

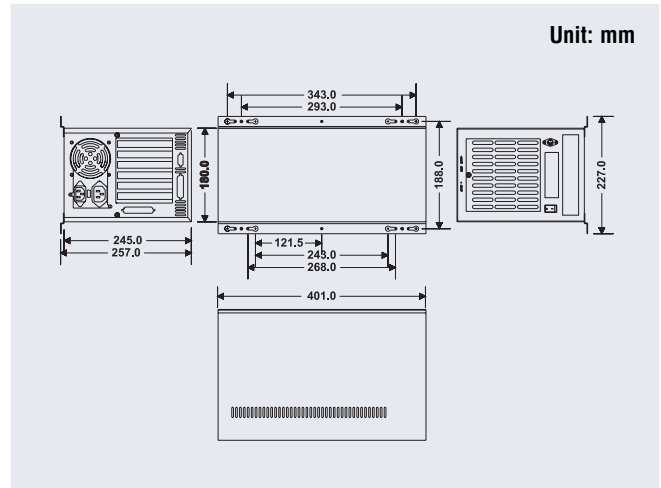
Full-Size 6-Slot Wallmount Chassis



Specifications

- **Construction:** Heavy-duty steel chassis
- **Color:** Beige
- **Disk Drive Bay:**
 - 5.25" Drives: 1 (External)
 - 3.5" Drives: 3 (2 x Internal, 1 x External)
- One 8cm/49CFM cooling fan with replaceable air filter
- **Controls on Front Panel:** Power On/Off and System Reset
- **Indicators on Front Panel:** LED Indicators for Power On/Off and HDD activity
- **Keyboard connector:** Pre-wired 5-pin DIN connector on front panel
- **EMI:** FCC/ VDE Class A, CE
- **Equipped with 250W AT or ATX Power Supply**
- **Operating Humidity:** 0~45°C (0~75°C non-operating)
- **Relative Humidity:** 10 to 95%, @25°C, non-condensing
- **Dimension (W x H x D):** 180 x 245 x 401mm (7" x 9.6" x 15.8")
- **Net Weight:** 6.5 kg (14.3 lb)
- **Gross Weight:** 8 kg (17.6 lb)

Dimension Diagram



Backplanes

Model Name	System	Amount of Slots
PBI-6SA	Single	6-slot ISA
PBPI-6SA	Single	1 ISA / 2 PICMG/ 4 PCI

Power Supplies

Model Name	Watt	Input Range	Output Voltage	Min. Load
IPS-ZKS-250AE	250W(AT)	90~135V AC	+5V@25A	+5V@2.5A
		180~260V AC@	+12V@10A	+12V@0.4A
		47~63 Hz	-5V@0.5A	
			-12V@0.5A	
IPS-ZKS-25WX-B	250W(ATX)	95~135V AC	+5V@25A	+5V@2.5A
		180~260VAC@	+12V@10A	+12V@1A
		47~63 Hz	-5V@0.5A	
		Switchable	-12V@1A	

Ordering Information

IEC-761-S6A-AT250

Full-size 6-slot Wallmount Chassis with 6-slot ISA Passive Backplane, 250W PS2 AT Power Supply

IEC-761-C6A-AT250

Full-size 6-slot Wallmount Chassis with 1 ISA/2 PICMG/4 PCI Passive Backplane, 250W PS2 AT Power Supply