

# BBS-2019-I

Fanless, Box PC with Atom™ N270, 4 COM, 4 USB, 12V DC Adapter

Bare Bone



## Features

- » Fanless, box PC design
- » Intel® Atom™ N270 processor
- » VGA, Gigabit Ethernet, Audio port
- » 1 x 2.5" HDD space
- » 1 x CF socket
- » 4 x COM port, 4 x USB2.0 port
- » 12V DC adapter
- » Option for DVI display

## System

### SBC

HS-2621

### CPU

Intel® Atom™ N270 processor 1.6GHz

### System Chipset

Intel® 945GSE/ICH7-M

### System Memory

1 x 200-pin SO-DIMM, DDR2 533MHz, Max. 2GB

### Display Interface:

1 x D-SUB 15-pin

1 x DVI (option)

### Audio Interface

Audio jack for MIC In, Line Out

### Ethernet Interface

1 x RJ-45 for Gigabit Ethernet

### Storage

1 x 2.5" HDD space

1 x Type II CF socket

### Watchdog Timer

Software programmable time-out intervals from 1~255 sec. or 1~255 min.

### H/W Status Monitor

Monitoring temperatures, voltages status

### Power

12V 60W DC adapter

### Operating/Storage Temperature

0~45°C/-20~+70°C

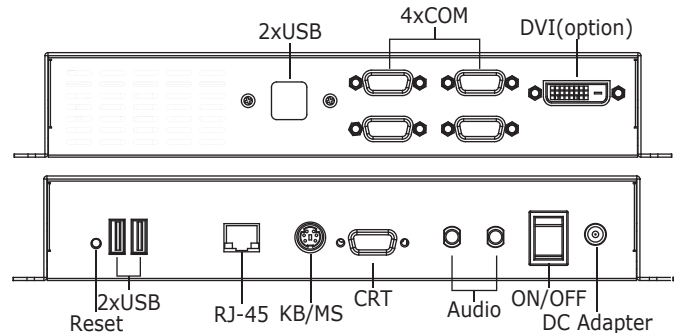
### Certification

FCC/CE Class A compliance

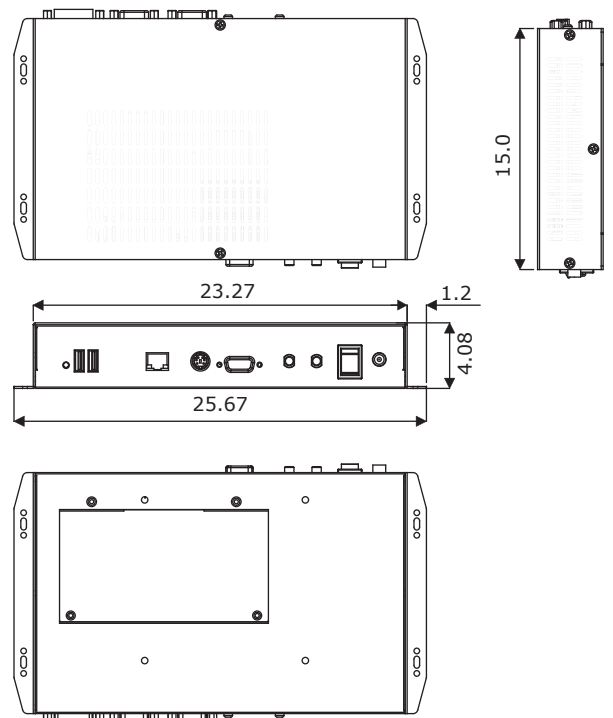
### Dimensions

25.67(L) x 4.08(H) x 15.0(W) cm

## I/O Interface



## Dimensions (unit:cm)



## Ordering Information

### BBS-2019-I

Fanless, Box PC w/Atom™ 1.6GHz CPU, 4 COM, 4 USB, 12V DC Adapter

### BBS-2019-I/DVI-D

Fanless, Box PC w/Atom™ 1.6GHz CPU, 4 COM, 4 USB, 12V DC Adapter

### Accessory Options

Memory Module, CF Module, 2.5" HDD