

BPC-3610-E

10.4" Panel PC with Touch Screen, V4 Eden, 3 COM, 5 USB, 70W P/S

Panel PC



Features

- » Aluminum front panel design
- » 10.4" TFT color panel display w/touch screen
- » VIA V4 Eden processor
- » VGA, dual Ethernet, Audio port
- » 1 x 2.5" HDD space
- » 1 x CF socket
- » 3 x COM port, 5 x USB2.0 port
- » 70W power supply
- » 1 x 4cm ball bearing cooling fan

System

LCD

Size: 10.4"
 Max. Resolution: 800 x 600 pixels
 Brightness: 250 cd/m²
 Max. Color: 262,144 colors
 Pixel Pitch: 0.264 x 0.264 mm

Touch Screen

10.4" resistive

SBC

HS-2615

CPU

VIA V4 Eden processor 1GHz

System Chipset

VIA CX700(M)

System Memory

1 x 200-pin SO-DIMM, DDR2 533MHz, Max. 1GB

Display Interface:

1 x D-SUB 15-pin
 1 x Brightness controller

Audio Interface

Audio jack for MIC In, Line Out

Ethernet Interface

2 x RJ-45 for Ethernet

Storage

1 x 2.5" HDD space
 1 x Type II CF socket

Watchdog Timer

Software programmable time-out intervals from 1~255 sec. or 1~255 min.

H/W Status Monitor

Monitoring temperatures, voltages, and cooling fan status

Thermal Solution

1 x 4cm ball bearing cooling fan

Power

70W power supply

Operating/Storage Temperature

0~50°C/-20~+70°C

Certification

FCC/CE Class A compliance
 IP65 front panel protection compliance

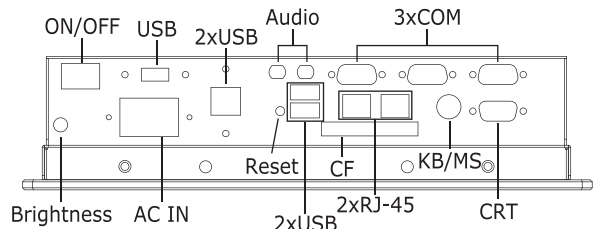
Dimensions

28.5(L) x 22.5(H) x 6.8(W) cm

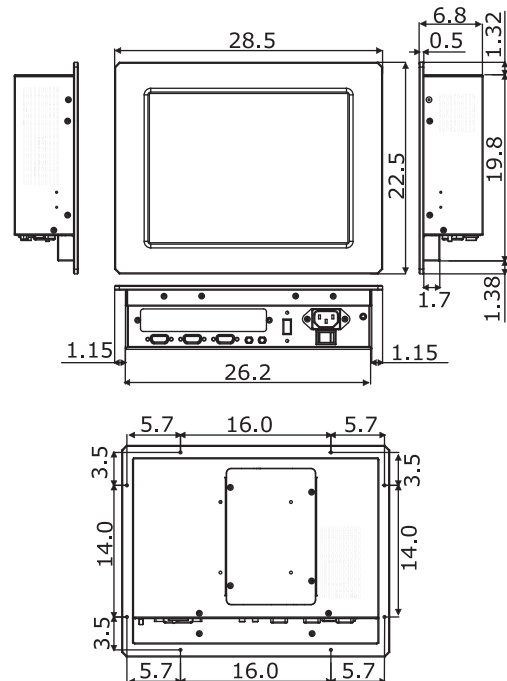
Cut Out Size

26.6(L) x 20.2(H) cm

I/O Interface



Dimensions (unit:cm)



Ordering Information

BPC-3610-E

10.4" Panel PC w/Touch Screen, Eden 1GHz CPU, 3 COM, 5 USB, 70W P/S

Accessory Options

Table Top Metal Stand, Memory Module, CF Module, 2.5" HDD