



ETA-USA

High Quality Switching Power Supplies

Single

150W

85-264VAC

Power - Factor Correction



FHE-SX-U SERIES

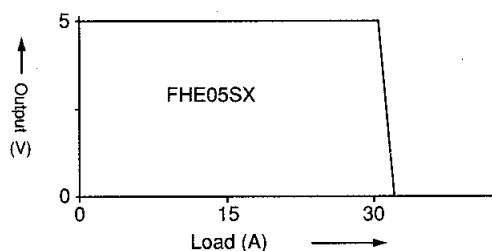
Output Table

FHE-SX (AC85~264V) 65X207X93 (mm)

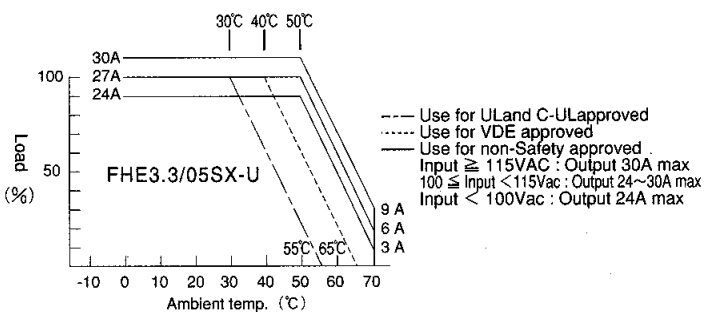
MODEL	OUTPUT		EFFICIENCY
	VOLTAGE	CURRENT	
FHE 3.3SX-U	3.3V	27A	73%
FHE 05SX-U	5V	27A	76%
FHE 12SX-U	12V	12.6A	79%
FHE 15SX-U	15V	10A	81%
FHE 24SX-U	24V	6.3A	83%
FHE 48SX-U	48V	3.2A	83%



Load & Output V.



Output Derating



FHE-Series is a new generation of powersupplies. Its the latest design following the international standards and market demands. This type of powersupply has all in one : power factr correction, low line distortion according to IEC1000-3-2, electro magnetic interference (EMI) complies with EN55022/B, VIDE 0871/13 and FCC level B. Safety complies with EN60950,UL 1950, CSA234, EN60950 and VDE0805, High efficiency and power factor correction is an optimal combination of good costperformance for both, end-users and power production companies.

Special Features

1. Power factor 115VAC=0.99 230VAC=0.98
2. Harmonics acc. to EN 60555-2 IEC 1000-3-2
3. EMI: complies with EN 55022/13 and VIDE 0871/13, FCC class B
4. Safety : approved UL1950, C-UL(CSA234), EN60950, VDE0805, IEC950, complieswith DENTORI

Applications

Processcontrol, Office-Equipment, Computer Peripherals, Telecommunica-tion, industrial Electronics and Machines, Household-Equipment

FHE-SX-U SPECIFICATION

GENERAL SPECIFICATION

Power factor correction	:Active filter circuit with boost converter
Over-current protection	:Constant current limiting
Over-voltage protection	:Output shutdown
Remote sensing	:Possible
Switching frequency	:130KHz Fixed
Withstand voltage	:(Input-Output) :AC3000V(1Minute) :(Input-Chassis) :AC2500V (1Minute) :(Output-Chassis):AC 500V (1Minute)
Insulation resistance	:(Input-Output-Chassis):50M MIN.
Leakage current	:1mA Max
Weight	:1.2Kg

ENVIRONMENT

Operating temperature	:0~+50°C See output derating curve
Storage temperature	:-20- 85°C
Humidity	:85%
Vibration	:(5~ MHz) Amplitude (peak to peak) 10mm(constant) (10- 55Hz) Acceleraton 2G (constant)
Shock	:30G

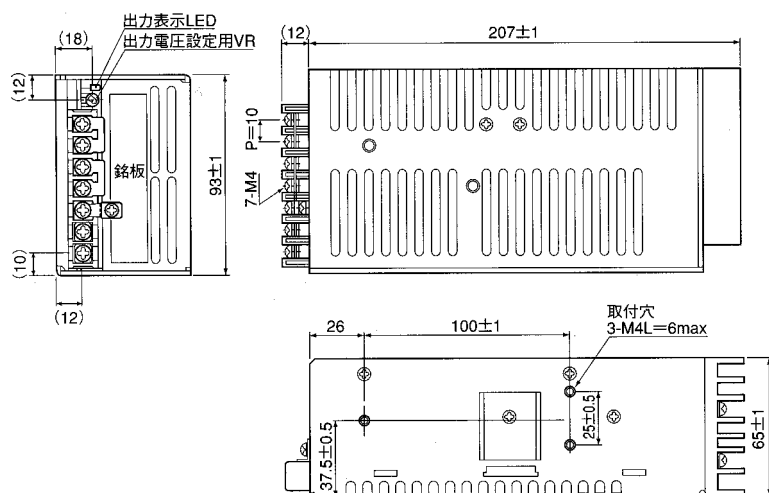
INPUT

Voltage nominal	:115VAC~230VAC
Voltage range	:85~264VAC
Power factor & harmonic correction range	:85~255VAC
Frequency	:50/60Hz
Current on full road	:1.9A/1A (Input 115V/230AC)
Inrush current	:11A MAX. (Input 115VAC), 22MAX. (Input 230VAC)
Phase	:Single

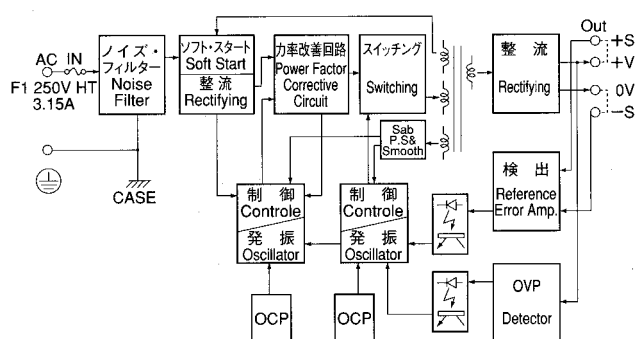
OUTPUT

Adjustable voltage	:± 10%,(2.7~3.6V FHE 3.3 SX Only)
Ripple & noise	:(Output V x 1%) + 50mVp-p MAX. 100mVp-p(FHE 3.3 SX Only)
Input regulation	:0.3%MAX, (15mV MAX.FHE 3.3 SX Only)
Load regulation	:0.3%MAX, (15mV MAX.FHE 3.3 SX Only)
Temperature coefficient	:0.01%/°C
Drift / Time effect	:(Output V X 0.5%)+15mV/8H (After 1 H)
Rise up time	:500mS Typ / 200mSTyp (AC I 15V/AC230V)
Hold-up time	:20mS MIN (at25°C, Rated-Input-Output)

Dimention (mm)



Block Diagram



Terminal Connection

NO.	機能
1	+Remote sensing
2	+V out
3	0 V out
4	-Remote sensing
5	Freme ground
6	AC-neutral
7	AC-line

ETA-USA

16315 Vineyard Blvd. Morgan Hill, CA 95037
Phone: 1-800-ETA-POWER, (408) 778-2793 Fax: (408) 779-2753

Visit Us On The Web at: <http://www.eta-usa.com/>
Or Email at: sales@eta-usa.com