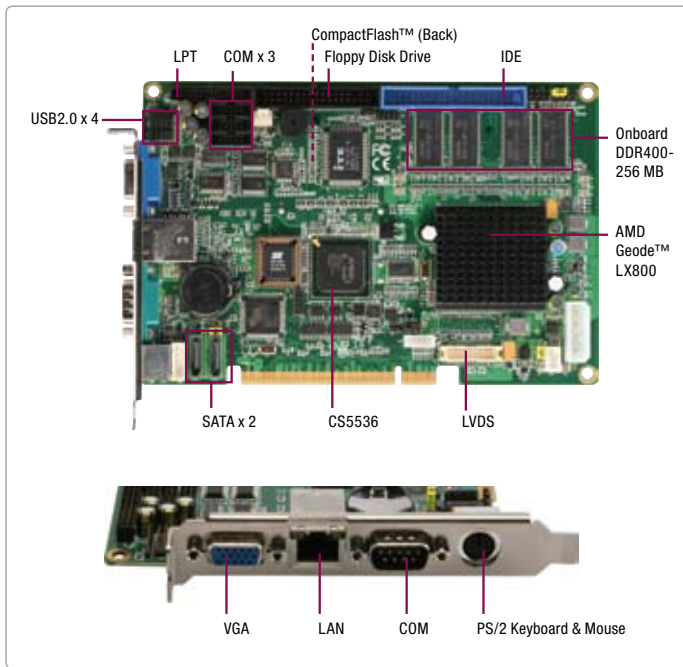


HSB-800P

PCI Half-Size SBC with AMD Geode™ LX800 Processor

14

Half-Size SBCs - PCI



Features

- AMD Geode™ LX800 Processor
- AMD Geode™ LX800 + CS5536
- Onboard 256 MB DDR400 Memory
- 10/100Base-TX x 1
- Integrated 2D Graphics Accelerator, VGA/LVDS Support
- AC97 Audio Codec (Optional)
- Ultra ATA33 x 1, SATA 1.5Gb/s x 2, CompactFlash™ Type 2 x 1
- USB2.0 x 4, RS-232 x 3, RS-232/422/485 x 1, Parallel x 1, Digital I/O
- PCI Expansion
- +5V, +12V Operation, ATX Support



Specifications

| System | |
|-----------------------------|--|
| Form Factor | PCI Half-Size SBC |
| Processor | AMD Geode™ LX800 |
| System Memory | Onboard 256 MB DDR400 Memory |
| Chipset | AMD Geode™ LX800 + CS5536 |
| Ethernet | 10/100Base-TX, RJ-45 x 1 Realtek 8100C controller |
| BIOS | Award Plug & Play FWH BIOS-8 Mb ROM |
| Expansion Interface | PCI |
| Watchdog Timer | 1 ~ 255 steps, can be set with software on Super I/O |
| H/W Status Monitoring | Supports Power Supply Voltage, Fan Speed and Temperature Monitoring. |
| RTC | Internal RTC |
| Battery | Lithium battery |
| Power Requirement | ATX 5V,12V, 4-Pin power connector |
| Power Consumption (Typical) | 7.6W @ AMD LX800, DDR 400/256MB, ATX |
| Operating Temperature | 32°F ~ 140°F (0°C ~ 60°C) |
| Board Size | 7.3" (L) x 4.8" (W) (185mm x 122mm) |
| Gross Weight | 0.61 lb (0.3 kg) |
| MTBF (Hours) | 78,000 |
| Display | |
| | Supports CRT/ LCD simultaneous display |
| VGA Controller | AMD Geode™ LX800 |
| Memory | Shared memory up to 16 MB |
| Resolutions | 1600 x 1200@32bpp at 100 MHz for CRT 1600 x 1200@24bpp for LVDS |
| LCD Interface | 24-bit only, Single Channel LVDS LCD Support |
| I/O | |
| | AMD CS5536 + ITE IT8712F |
| Storage | ATA33 (Slave) x 1 Standard FDD port x 1 CompactFlash™ Type 2 connector (Master) x 1 Onboard SATA 1.5Gb/s x 2 by Sil3212 |
| Serial Port | COM Port x 4 (Internal Pin Header x 3; Rear I/O x 1) COM 1 (Rear I/O), COM 3, COM 4 : RS-232 COM 2 : RS-232/422/485 |
| Parallel Port | Supports SPP/EPP/ECP mode |
| USB | USB2.0 x 4 (pin header x 4) |
| PS/2 Port | Mini-DIN PS/2 x 1, Keyboard & Mouse connector (Rear I/O) Internal keyboard Box header x 1 |
| Audio (Daughter Board) | AC 97 Codec |

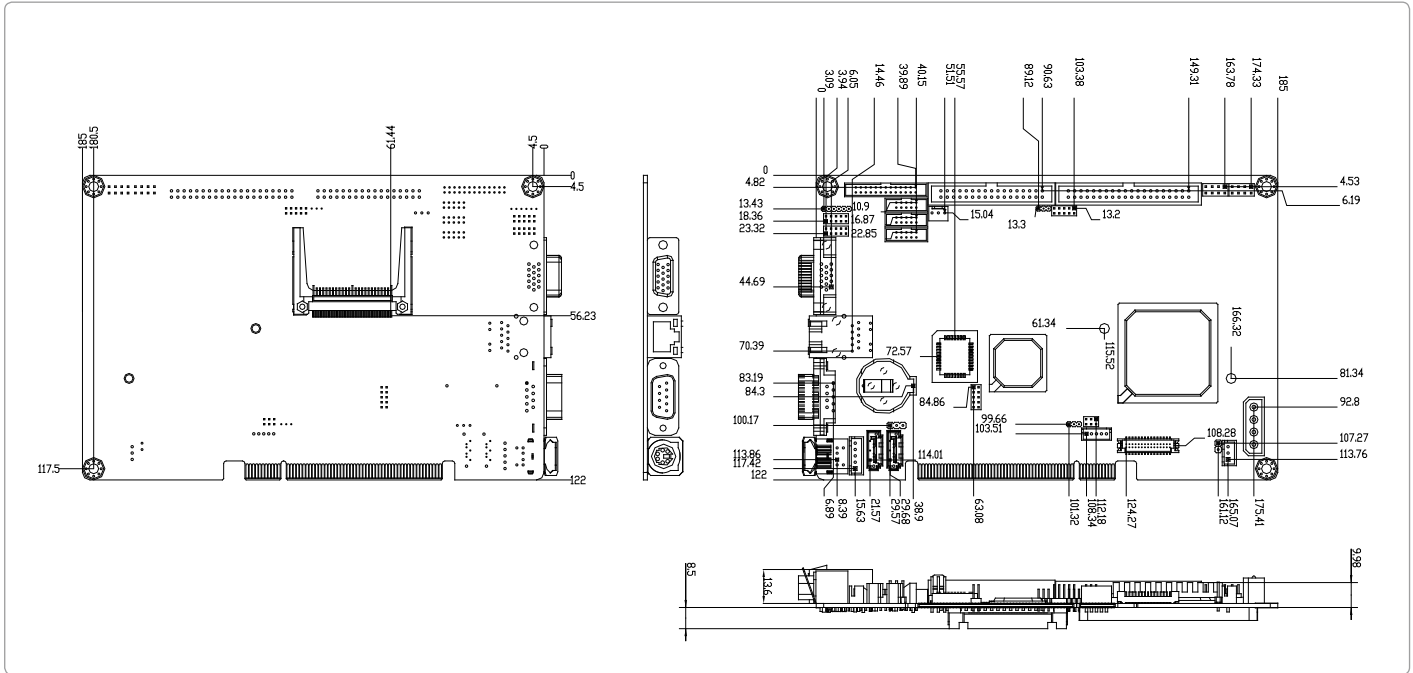
Packing List

- **1701340704**
Flat Cable, 34P, 70cm, Gray for FDD
- **1701400453**
Cable, 40P 2.54mm IDC W/Nose W/Fold, 40P 2.54mm IDC W/Nose W/Fold, 45cm, Blue ATA-100
- **1700060192**
Cable, 6P-6P-6P, 19cm, Ivory PS2/KB & Mouse
- **1703030501**
Wire, 3P 2.5mm Housing, 3P 2.5mm Housing, 50cm
- **1701260307**
Flat Cable, 9P/DB9P Male & 25P DB25P Female, 10P 2mm & 26P 2mm/IDC NO Fold, 30cm, W/Bracket, A002-015
- **1701100305**
Flat Cable, 9P/DB9P Male, 10P/2.0mm Pitch/IDC NO FOLD, 30cm, W/Bracket
- **1709100201**
Usb Cable, 20cm, 2.0mm, W/Bracket
- **1709070800**
SATA CABLE, 7P Pitch 1.27mm, 80cm, W/Lock
- **Product CD**
- **HSB-800P**

HSB-800P

Dimension

Unit: mm



Passive Backplane Options

| P/N | Description | Master Interface | Slots (PCI/ ISA/ PICMG_PCI) | Power ATX Extend Function |
|-----------------|---|------------------|-----------------------------|---------------------------|
| BP-204SP-P3-A11 | Wallmount, 4-slot Backplanes, 3 PCI, Single Segment, AT/ATX | PCI | (3/0/1) | AT/ATX |
| BP-205SP-P4-A12 | Wallmount, 5-slot Backplanes, 4 PCI, Single Segment, AT/ATX | PCI | (4/0/1) | AT/ATX |
| BP-206SP-P4-A10 | Wallmount, 6-slot Backplanes, 4 PCI, Single Segment, AT/ATX | PCI | (4/0/2) | AT/ATX |

Ordering Information

| Part Number | CPU | RAM | Fan/Fanless | Display | Storage | LVDS | LAN | USB | RS-232 | RS-232/422/485 | Expansion Slot | Power | Temp. |
|--------------------|------------------|--------|-------------|------------|---------------------------------------|--------------------------|--------|------------|--------|----------------|----------------|---------------|------------|
| TF-HSB-800P-A10-VE | AMD Geode™ LX800 | SODIMM | Fanless | VGA + LVDS | SATA2 x 2, IDE x 1, Floppy x 1, CFx 1 | 18/24-bit Single Channel | FE x 1 | USB2.0 x 4 | 3 | 1 | PCI | ATX, +5, +12V | 0°C ~ 60°C |

Optional Accessories

- TF-PER-U00A
AC 97 Codec Daughter Board