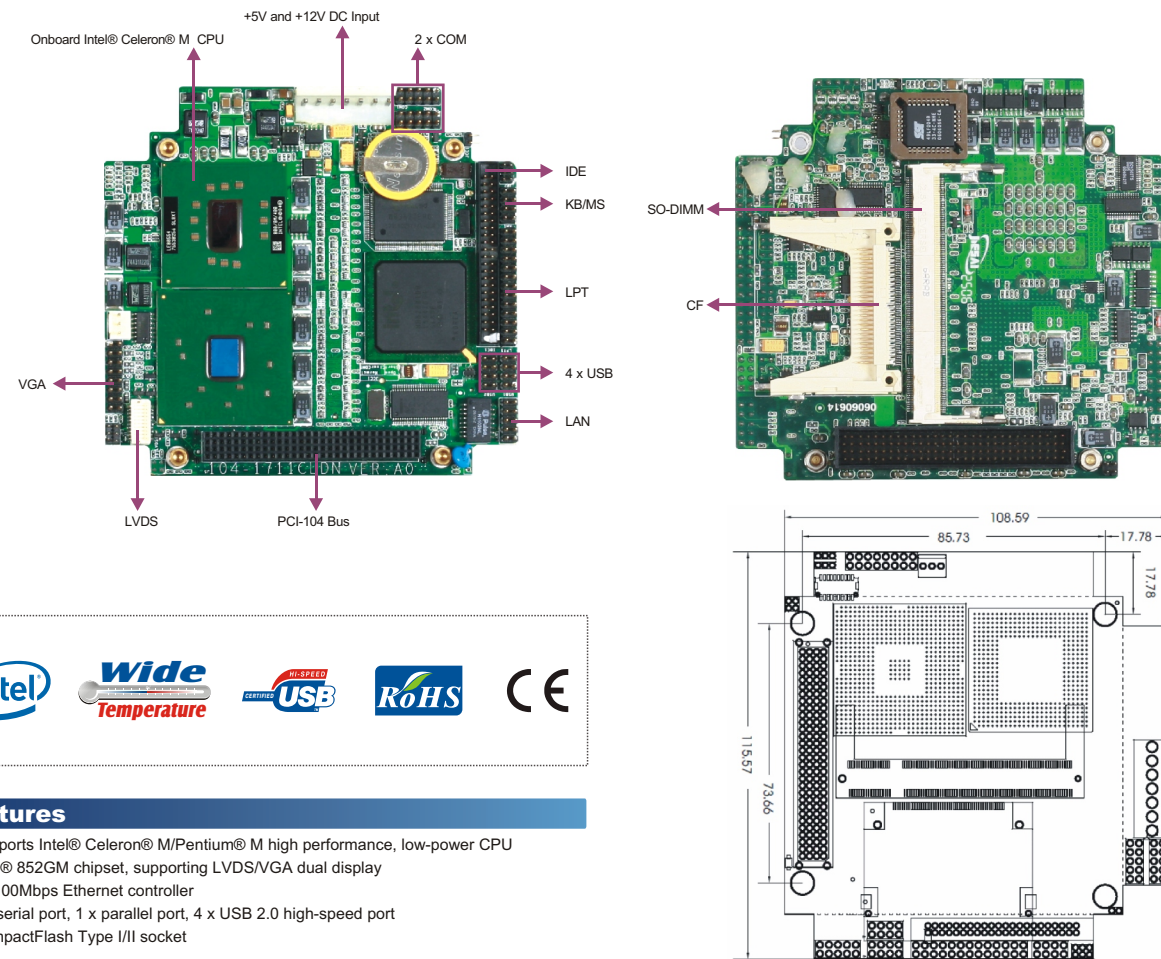


104-1711CLDN

PC/104 SBC with Intel® CPU/Memory and LCD/VGA/LAN



Features

- Supports Intel® Celeron® M/Pentium® M high performance, low-power CPU
- Intel® 852GM chipset, supporting LVDS/VGA dual display
- 10/100Mbps Ethernet controller
- 2 x serial port, 1 x parallel port, 4 x USB 2.0 high-speed port
- CompactFlash Type I/II socket

Specifications

System

Processor	Onboard Intel® ULV Celeron® M 800MHz CPU, optional Pentium® M 1.1/1.6GHz
Chipset	Intel® 852GM + ICH4, 400MHz FSB
Memory	1 x 200-pin SODIMM socket, DDR 200/266MHz up to 1GB
Hardware Monitor	Monitors CPU temperature, voltage and fan speed
Watchdog Timer	1~255 sec./min. timer system reset or interrupt, setup by software
Expansion Interface	PCI-104 expansion bus

Storage

IDE	1 x ATA100 IDE interface, supporting two IDE devices
Serial ATA	N/A
Floppy	N/A
CompactFlash	1 x CompactFlash Type I/II socket
DOC/DOM	N/A

I/O Interface

USB	4 x USB2.0
Serial Port	1 x RS-232, 1 x RS232/RS422/RS485
Parallel Port	1 x LPT
CAN	N/A
GPIO	N/A
Audio	N/A

Display

Display Controller	Intel® 852GM Integrated
Display Memory	64MB shared memory
Resolution	VGA mode: up to 1600 x 1200@85Hz
Dual Display	VGA+LVDS

Ethernet

Ethernet Controller	Integrated Intel® 82562ET Ethernet controller
Speed	10/100Mbps
Connector Interface	1 x RJ45

Mechanical and Environmental

Dimensions	116mm x 109mm
Operating Temperature	0°C~60°C (optional -40°C~70°C)
Storage Temperature	-40°C~80°C
Operating Humidity	5%-90%, non-condensing

Power

Power Supply	+5V, +12V AT power interface
Power Consumption	Typical 8.4W (Intel® Pentium® M 1.4GHz, 512MB Memory)

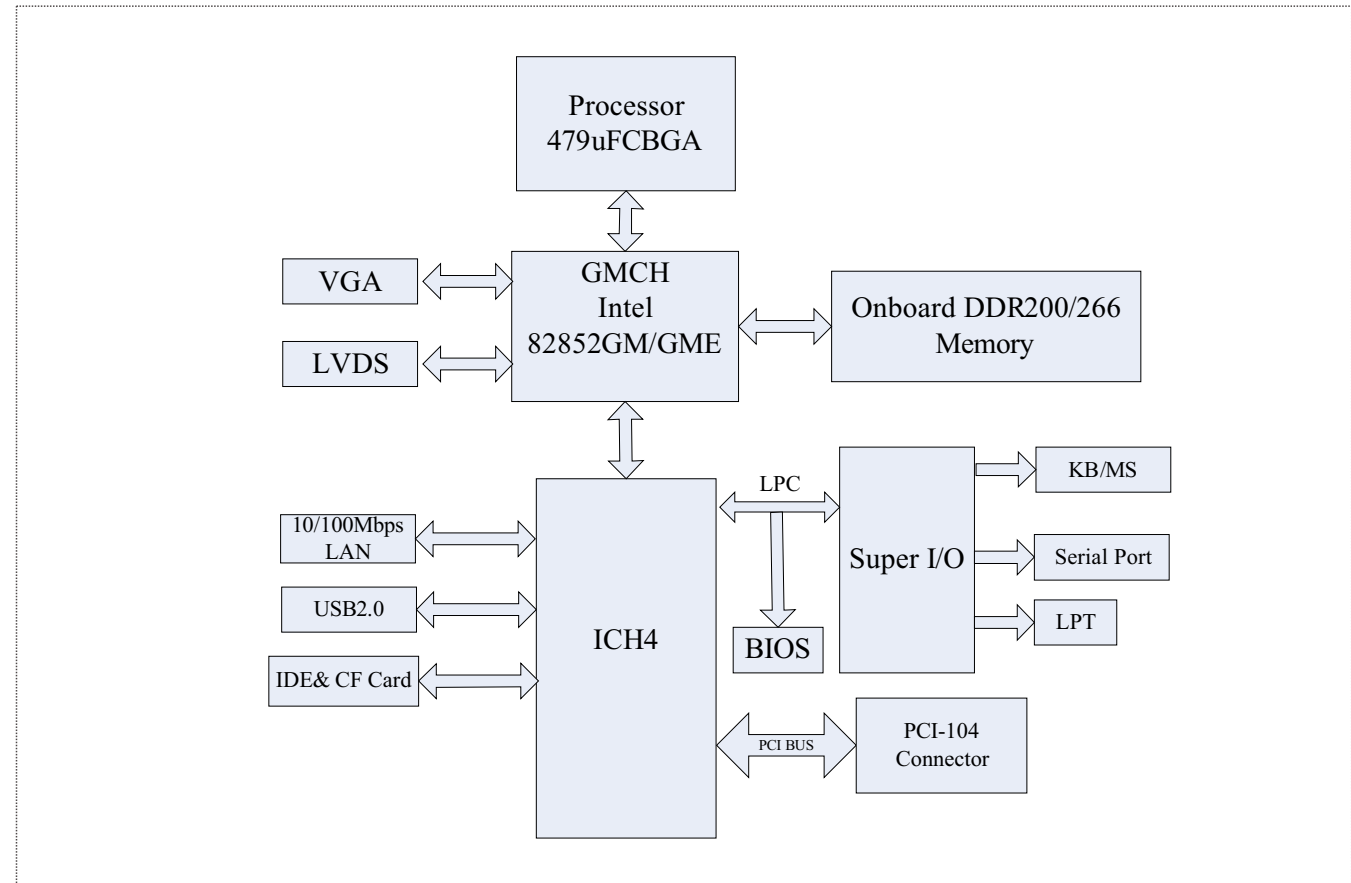
Operating System

Windows OS	Windows 98SE/Windows XP
Embedded OS	Linux/XP Embedded

Certification

CE, RoHS

Board Diagram



Available Accessories

Part Number	Name	Description	Qty.
—	Driver CD/Protective film/RoHS	104-1711CLDN	1
2330-000011	Jumper/RoHS	2.0mm pitch	4
2360-000831	Y-cable for keyboard and mouse/RoHS	PS/2 port connector to 2x4 Pin, length: 300mm/RoHS	1
2360-000851	VGA cable/RoHS	VGA connector to 2x8 Pin, length: 220mm/RoHS	1
2360-002601	Power cable/RoHS	One TJC6-7Pin (3.96mm pitch) port to two male 4 Pin, connector (5.08mm pitch), length: 200mm/RoHS	1
2360-006641	LAN cable/RoHS	RJ45 connector to 2x5 Pin, length: 150mm/RoHS	1
2360-008351	Serial port cable/RoHS	DB9 connector to 2x5 Pinconnector (2.54mm pitch), length: 300mm/RoHS	2
2360-008361	Parallel port cable/RoHS	DB25 connector to 2x13 Pin connector (2.54mm pitch), length: 300mm/RoHS	1
2360-008781	HDD cable/RoHS	40 Pin to 44 Pin (2.0mm pitch), length: 550mm/RoHS	1
2360-010841	Dual USB ports with bracket/RoHS	Two USB ports to one 2x4 Pin, connector (2.54mm pitch), length: 300mm/RoHS	2
2391-002141	Nut/RoHS	M3/GB-T6170-1986/nickel plating	4
2391-004631	Copper hex bolts/RoHS	M3x25-4/CH-M3-25-4-Ni	4
—	Setup Guide/RoHS	AMI/BIOS Setup Guide (for CORE8)	1
—	User's Manual/RoHS	104-1711CLDN	1

Ordering Information

Part Number	Model Number	Description
0030-005941	104-1711CLDN/CM-600	Motherboard/Celeron®-M 600M/RoHS
0030-005940	104-1711CLDN/CM-600	Motherboard/Celeron®-M 600M
0030-000890	104-1711CLDN/CM-600/long pin	Motherboard/Celeron®-M 600M/long pin
0030-011180	104-1711CLDN/CM-800/long pin	Motherboard/Celeron®-M 800M/long pin
0030-000930	104-1711CLDN/CM-1G	Motherboard/Celeron®-M 1G
0030-000920	104-1711CLDN/CM-1G/long pin	Motherboard/Celeron®-M 1G/long pin
0030-000910	104-1711CLDN/PM-1.4G	Motherboard/Pentium®-M 1.4G
0030-000911	104-1711CLDN/PM-1.4G	Motherboard/Pentium®-M 1.4G/RoHS
0030-000900	104-1711CLDN/PM-1.4G/long pin	Motherboard/Pentium®-M 1.4G/long pin
0030-004301	104-1711CLDN/CM-600/Conformal coating	Motherboard/Celeron®-M 600M/RoHS/Conformal coating