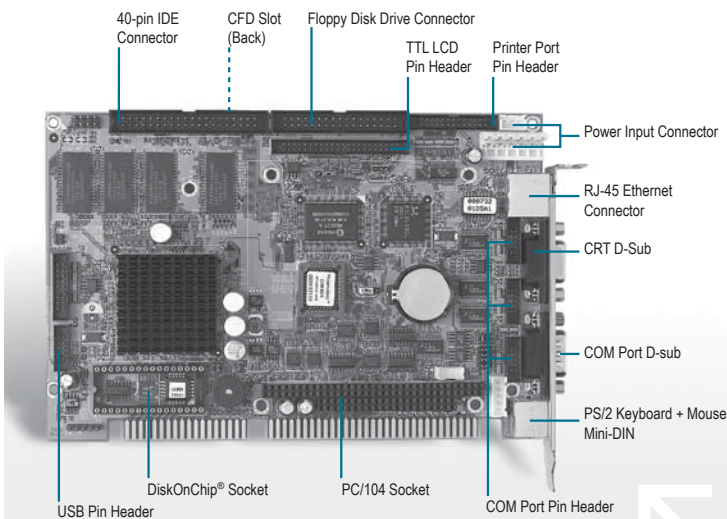


# HSB-440I

## STPC® Atlas System-on-Chip



## Features

- Onboard STPC® Atlas System-on-Chip
- 18-bit TTL TFT LCD
- Supports PC/104 Slot
- Supports Type II CompactFlash™ and DiskOnChip® Memory
- 4 COM / 2 USB / Digital I/O
- +5V Only Operation

## Specifications

System	
Form Factor	ISA, Half-size SBC
Processor	Onboard STPC® Atlas 133MHz System-on-Chip
System Memory	Onboard 64MB SDRAM
Chipset	STPC® Atlas System-on-Chip
Ethernet	Realtek 8139DL/8100BL, 10/100Base-TX RJ-45 connector x 1
BIOS	AWARD 256KB FLASH ROM
IDE Interface	ATA-100/66/33
SSD	Type II CompactFlash™ slot x 1, DiskOnChip® up to 1GB
Expansion Interface	ISA interface, PC/104 socket x 1
Watchdog Timer	Generates a time-out system reset
RTC	Internal RTC
Battery	Lithium battery
Power Requirement	+5V/ AT
Operating Temperature	32°F ~ 140°F (0°C ~ 60°C)
Board Size	7.3"(L) x 4.8"(W) (185mm x 122mm)
Gross Weight	0.7 lb (0.3kg)
MTBF (Hours)	209,494
Power Consumption (Typical)	6W, Onboard STPC® Atlas System-on-Chip
Display	
	Supports CRT and LCD simultaneous display
VGA Controller	STPC® Atlas System-on-Chip
Memory	Shared system memory up to 4MB
Resolutions	Up to 1024x768@16bpp colors for CRT Up to 800x600@18bpp colors for LCD
LCD Interface	Up to 18-bit TTL TFT LCD
I/O	
I/O Chipset	Winbond W83977F
IrDA	One IrDA TX/Rx header
MIO	EIDE x 1 (PIO-Mode4 x 1), Floppy Disk Drive x 1, Keyboard + Mouse x 1, RS-232 x 3, RS-232/422/485 x 1, Parallel x 1
USB	One 5x2-pin header supports 2 USB 1.0 Ports



## Packing List

- 1701400601 IDE Cable
- 1701340700 Floppy Disk Drive Cable
- 170110030A Serial Port Cable
- 1701010302 Parallel + Serial Port Cable
- 1700060192 Keyboard and Mouse Cable
- Quick Installation Guide
- Utility CD
- HSB-440I

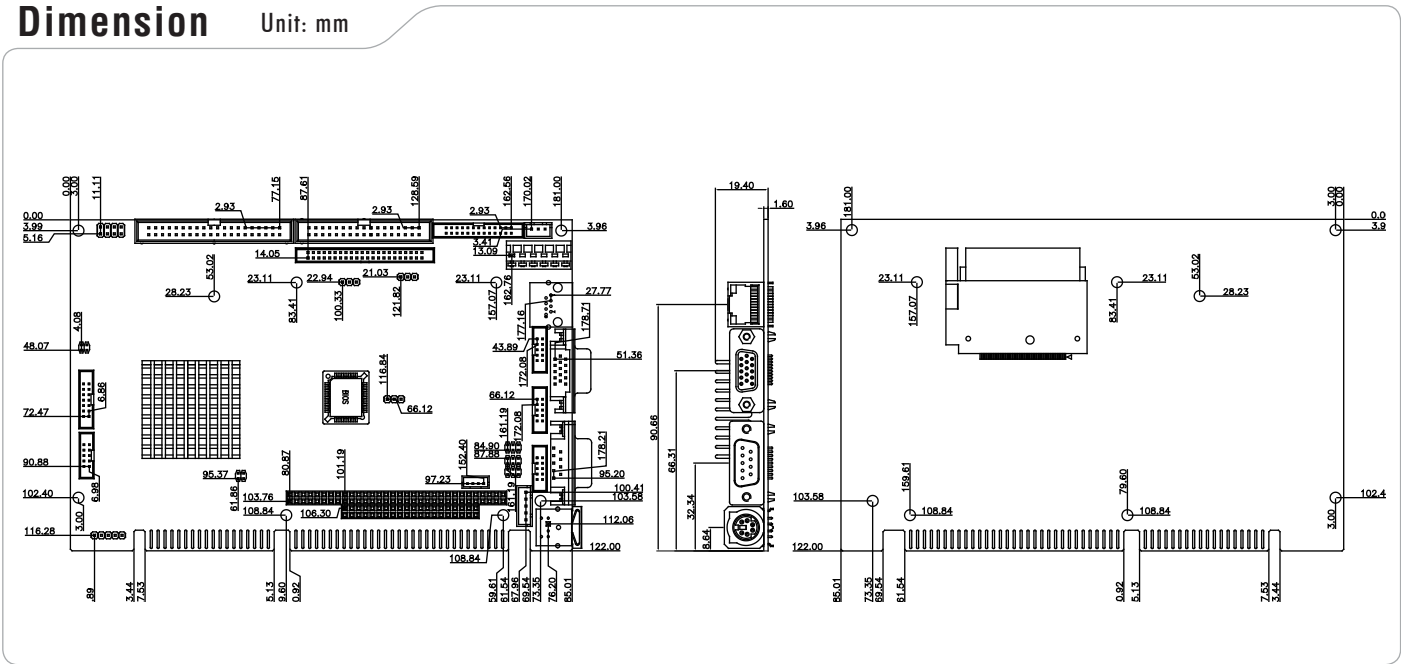
## Ordering Information

- **TF-HSB-440I-A10**  
Half-size ISA CPU Card, STPC Atlas, with TFT LCD, Onboard 64MB, LAN, CF, DOC, 4 COM, Rev.A1.0
- **TF-HSB-440I-A10-01**  
Half-size ISA CPU Card, STPC Atlas, with TFT LCD, Onboard 64MB, DOC, 4 COM, Rev.A1.0

## Optional Accessories

- **OS-CE-420-440I**  
Windows® CE.NET (Rev.4.2) SDK for HSB-440I, English Version
- **CFC-032**  
32MB CompactFlash™ Card, 3.3/5V, suggested for Windows® CE.NET image

**Dimension** Unit: mm



**Passive Backplane Options**

P/N	Description	Master Interface	Slots (PCI/ ISA/ PICMG)	Power Connector, ATX Extend Function
TF-BP-204SI-A13	Wallmount, ISA 4-slot Backplane, 4 ISA Single Segment, AT, Rev.A1.3	ISA	(0/4/0)	AT
TF-BP-206SI-V60	Wallmount, ISA 6-slot Backplane, 6 ISA Single Segment, AT, Rev.A6.0	ISA	(0/6/0)	AT
BP-208SI-A00	Wallmount, ISA 8-slot Backplane, 8 ISA Single Segment, AT, Rev.A0.0	ISA	(0/8/0)	AT
BP-214SI-V61	Wallmount, ISA 14-slot Backplane, 14 ISA Single Segment, AT, Rev.A0.0	ISA	(0/14/0)	AT