

Euro Terminal Ultra-Slim Signal Conditioners M6D Series

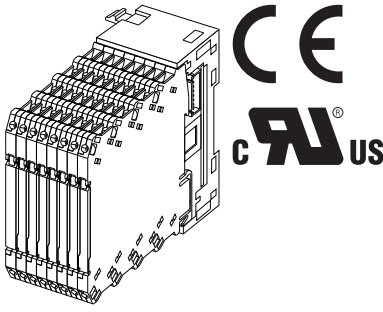
specification sheets.)

Isolation: Power to ground

INSTALLATION BASE

Functions & Features

- Backplane to collectively supply power to the M6D modules in combination with the Power Supply Module (model: M6DPSx or M6-PSM)
- UL approval



MODEL: M6DBS-[1][2]

ORDERING INFORMATION

- Code number: M6DBS-[1][2]
- Specify a code from below for [1] and [2].
(e.g. M6DBS-08/UL)

[1] NUMBER OF SLOTS

- 08:** 8 slots
- 08P:** 8 slots (for extension)
- 08A:** 8 slots + power supply slot (for model M6-PSM)
(UL not available)

[2] OPTIONS

STANDARDS & APPROVALS

- blank:** CE marking
- /UL:** UL approval (CE marking)

RELATED PRODUCTS

- M6D series signal conditioners (Not able to supply to AC power signal conditioners (M2 code))
- Power supply module (model: M6DPS1)
- Power supply module (model: M6DPS2)
- Power supply module (model: M6-PSM)
- Blank filler module (model: M6DDM)

GENERAL SPECIFICATIONS

Capacity: Up to 48 modules with Extension Bases (The usable number of signal conditioners depends on the capacity of the power supply module. Refer to the M6-PSM

INSTALLATION

Operating temperature: -20 to +55°C (-4 to +131°F)

Operating humidity: 30 to 90 %RH (non-condensing)

Atmosphere: No corrosive gas or heavy dust

Mounting: Surface or DIN rail

Weight:

M6DBS-08, -08P: 50 g (1.8 oz) without signal conditioners

M6DBS-08A: 80 g (2.8 oz) without signal conditioners

PERFORMANCE

Insulation resistance: $\geq 100 \text{ M}\Omega$ with 500 V DC

Dielectric strength: 2000 V AC @1 minute (power to ground)

STANDARDS & APPROVALS

CE conformity:

EMC Directive (2004/108/EC)

EN 61000-6-4 (EMI)

EN 61000-6-2 (EMS)

Approval:

- UL/C-UL nonincendive Class I, Division 2, Groups A, B, C, and D hazardous locations (ANSI/ISA-12.12.01, CAN/CSA-C22.2 No.213)
- UL/C-UL general safety requirements (UL 61010-1, CAN/CSA-C22.2 No.61010-1)

EXTERNAL VIEW

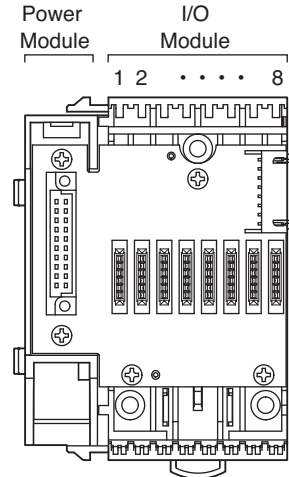
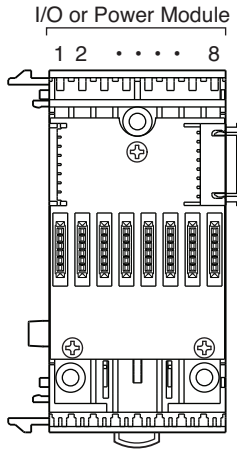
Install signal conditioners from the slot at either end.

Power Supply Modules (M6DPS1 or M6DPS2) could be mounted at any slots, however, installing them at either end is generally recommended.

Mount the power supply module (M6-PSM) on the power supply slot of M6DBS-08A.

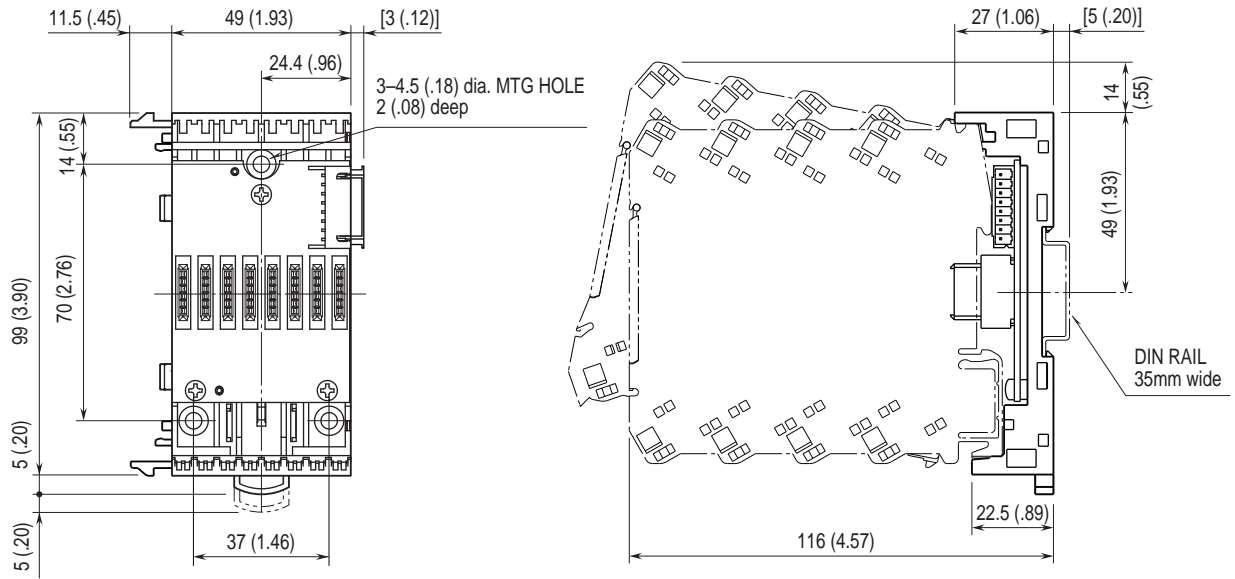
■ M6DBS-08, M6DBS-08P

■ M6DBS-08A

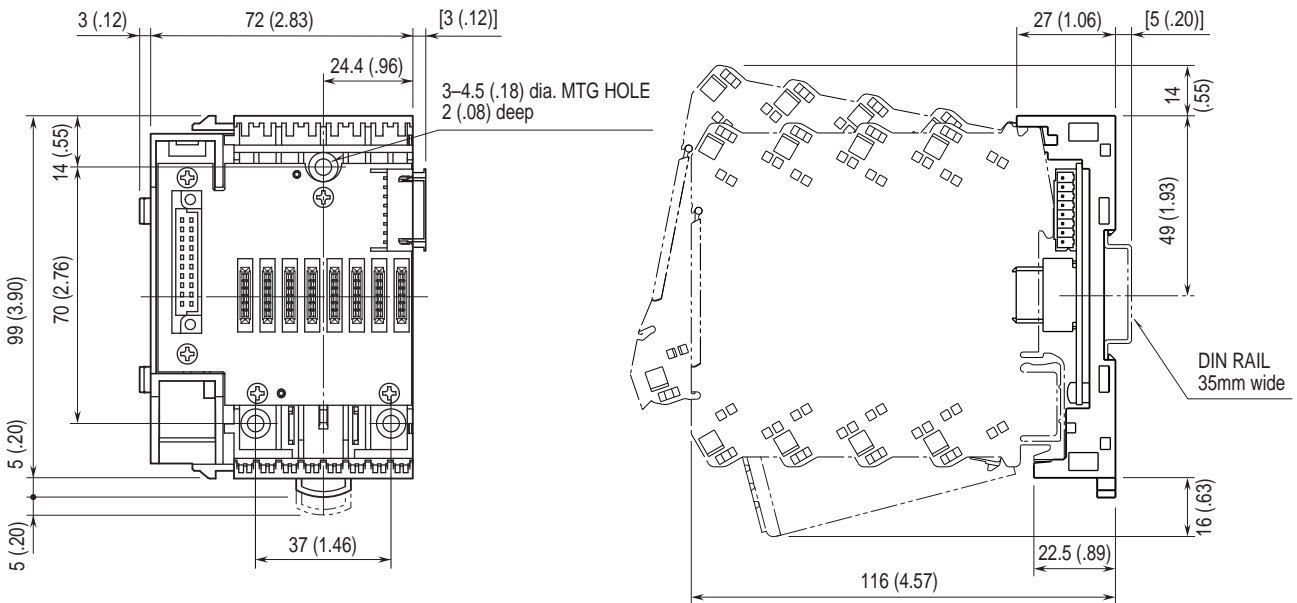


DIMENSIONS unit: mm (inch)

■ M6DBS-08, M6DBS-08P



■ M6DBS-08A

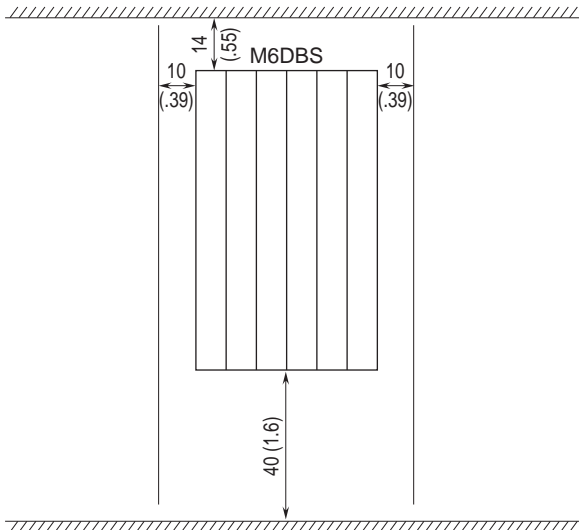


MOUNTING REQUIREMENTS unit: mm (inch)

■ MOUNTING DIRECTION

The unit must be mounted on a vertical panel. Mounting in any other angle will cause internal temperature to rise, may shorten the product's life expectation or deteriorate its performance.

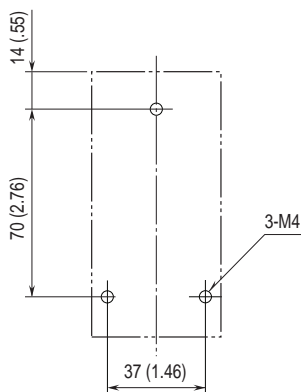
Panel ceiling or wiring conduit (height ≤50 mm or 2 in.)



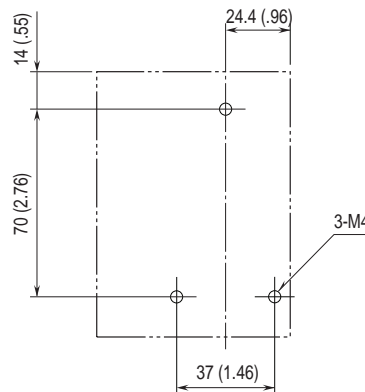
Panel bottom or wiring conduit (height ≤50 mm or 2 in.)

■ SURFACE MOUNTING

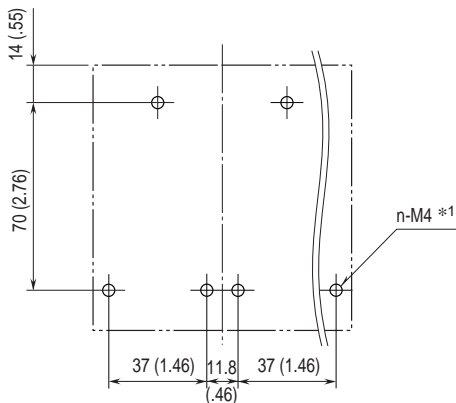
• M6DBS-08



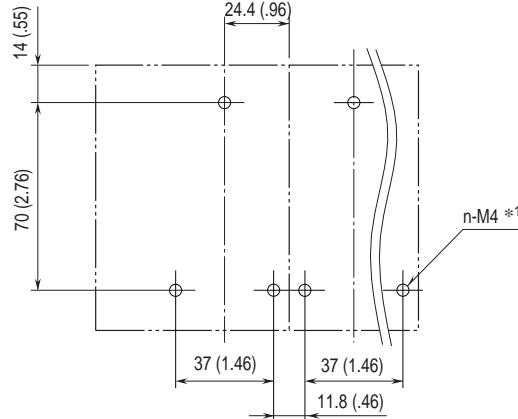
• M6DBS-08A



• M6DBS-08 + M6DBS-08P



• M6DBS-08A + M6DBS-08P



*1. n = (Number of bases) x 3



Specifications are subject to change without notice.