

cPCI-6860

The **World's First** Dual Low Voltage Intel® Xeon™
6U CompactPCI SBC with Quad Gigabit Ethernet

Fastest Communication, Fastest Computing, Fastest Storage



Features

- Support Dual 2.0GHz Low Voltage Xeon™ Processors or a Single 2.4GHz Xeon™ Processor
- Up to 4 GB DDR-200 RAM with ECC
- Quad Gigabit Ethernet Ports, Single 10/100 Ethernet Port
- Ultra-160 SCSI Interface, Compact Flash Socket
- Quad USB 1.1 Ports, Serial Port, Video
- Compliant with PICMG 2.16 Packet Switching Backplane

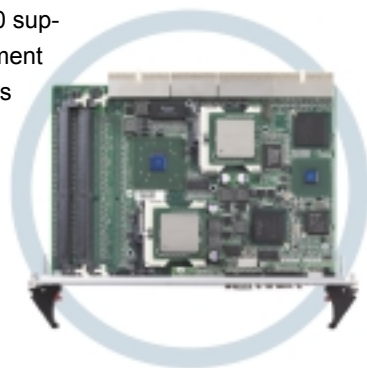
Introduction

The ADLINK cPCI-6860 is a state-of-the-art system master processor board in 6U dual-slot CompactPCI form factor. It features a single Intel® 2.4GHz Xeon™ processor with 512KB L2 cache, or single/dual Intel® low voltage 2.0 GHz Xeon™ processor(s). An Intel® E7500 chipset provides support for up to 4Gbytes of 144-bit wide PC1600 registered ECC DDR and a processor front side bus speed of 400MHz. It also features an Intel® 82546EB dual port gigabit Ethernet controller on a local high speed 133MHz 64bit PCI-X bus. The Ethernet connections can be brought out the front of the cPCI-6860 or switched to the backplane for PICMG 2.16 compliant applications. With the rear transition module (cPCI-R6860), the cPCI-6860 will support two extra gigabit Ethernet ports, one Ultra-160 SCSI controller, and two ATA100 channels, including one Compact Flash memory card slot for high volume storage applications.

In addition to high computing performance and communication capability, the cPCI-6860 supports Intelligent Platform Management IPMI v1.5 using an optional Baseboard Management Controller (BMC) for applications that require high reliability and serviceability. ADLINK's cPCI-6860 is simply the best solution for telecom, data center and Internet applications.

Application

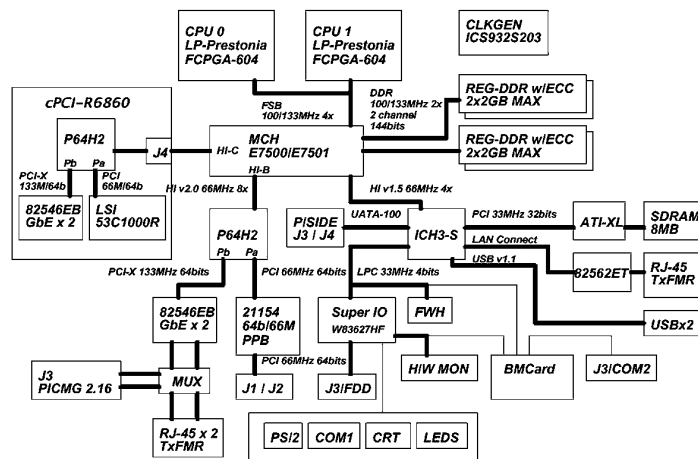
- Blade High Density Computing
- Streaming/VOD/MOD
- Media Gateway/Signaling Gateway
- Multi-Access Switch
- WAP/VPN Gateway
- BSC/RNC
- Security



Specifications

Form Factor	6U CompactPCI (233mm x 160mm) Board Size 2-Slot (8TE/HP, 40.64mm) Wide
Processor	Single Intel® Xeon™ Processor or Dual Intel® Low Voltage Xeon™ Processor(s) 512K L2 cache, 400MHz FSB, 1.6/1.8/2.0/2.4 GHz
Memory	Registered ECC DDR DIMM 4Gbyte Maximum
Chipset	Intel® E7500 Memory Control Hub (MCH) Intel® 82801CA I/O Control Hub 3 (ICH3-S) Intel® 82870P2 PCI/PCI-X 64-Bit Hub 2 (P64H2)
Super I/O	Winbond W83627HF
LAN	Intel® 82562EM 10/100Mbps Platform LAN Connect Intel® 82546EB Dual Ports Gigabit Ethernet Controller
Graphics	ATI Rage-XL with 8Mbyte SDRAM
BIOS	Award/Phoenix
cPCI Bridge	Intel® 21154BE 64-Bit/66MHz P2P Bridge
Front Panel I/O	10/100Mbps LAN x 1 10/100/1000Mbps LAN x 2 USB v1.1 x 2 VGA, RS-232, PS/2 (KB+MS) x 1 System Reset Button x 1 Power LED, IDE LED, and Watchdog LED
cPCI-R6860	Dual Channel Ultra-ATA100 IDE Interfaces LSI 53C1000R Ultra160 SCSI Controller Intel® 82546EB Dual Ports Gigabit Ethernet Controller Housing for 2.5" ATA HDD
Rear Panel I/O	Ultra-160 SCSI x 1 10/100/1000Mbps LAN x 4 USB v1.1 x2, Keyboard, Mouse x1 VGA, RS-232 x 1, Optional DB9 Management Port x 1 Compact Flash Memory Card Slot x 1

System Block Diagram



Ordering Information

cPCI-6860:

6U CompactPCI Dual Slot Space Dual Intel® Low Voltage Xeon™ Processors SBC with VGA, Dual GbE and Fast Ethernet

cPCI-6860M:

6U CompactPCI Dual Slot Space Dual Intel® Low Voltage Xeon™ Processors SBC with VGA, Dual GbE, Fast Ethernet and BMC for PICMG 2.9 System Management

cPCI-R6860:

Rear I/O Transition Module for cPCI-6860 series with Ultra-160 SCSI and Extra Dual GbE



15279 Alton Parkway, Suite 400, Irvine, CA 92618
Toll Free: 866-4-ADLINK
TEL: 949-727-2077
FAX: 979-727-2099

<http://www.adlinktech.com>
E-mail: usa@adlinktech.com