

aTCA-6892

Dual-64-bit Intel® LV Xeon® Dual-Fiber Channel AdvancedTCA® Processor Blade



The aTCA-6892 features dual-4 Gbps Fiber Channel (FC) links, powered by Qlogic EP2432 PCI-E® fiber channel controller, with field-setup function to configure the FC links to front panel SFP optical transceivers, or to backplane Zone 2 connector to support PICMG® 3.1 option 4/7 connectivity. Working with 3rd party ATCA FC switch blades and FC storage blades, the aTCA-6892 can directly access to the integrated, high performance Storage-Area-Network (SAN) in the ATCA shelf, without any external optical fiber required. The cutting-edge dual Intel 64-bit LV-Xeon® processors and the up to 16 GB dual-channel PC3200 DDR2 REG/ECC memory provide aTCA-6892 unlimited computing power to accomplish any critical mission. The dual 1000BASE-BX GbE fabric interface ports, which is compliant to PICMG® 3.1 option1, also allow users to have different choices of high speed data transport inside the shelf. Various I/O features, includes VGA output, USB v2.0 ports, and serial console are available for front access. A PCI/PCI-X 64-bit/133 MHz capable PMC site is designed for further function expansion. A SATA RAID 0/1 enabled RTM interface is also reserved.

Features

- Dual-4 Gbps Fiber Channel Links
- 800 MHz FSB, 1 MB L2 Cache, Hyper-Threading Processors
- Intel® EM64T 64-bit Extended Memory Technology
- Dual-DDR2-400 REG/ECC Channels with 16 GB Maximum Capacity
- 64-bit 33/66/100/133MHz PCI™/PCI-X™ PMC
- Dual-1000BASE-BX GbE Fabric Interface Channels
- Configurable PICMG® 3.1 Option 1/4/7 Compliant
- RAID 0/1 Enabled RTM

Ordering Information

aTCA-6892	Dual-64-bit LV-Xeon® Dual-Fiber Channel AdvancedTCA® Processor Blade
aTCA-6892/DX28/M1G	Dual-64-bit LV-Xeon® 2.8 GHz, Dual-Fiber Channel AdvancedTCA® Processor Blade with 1 GB PC3200 DDR2 REG/ECC DIMM

Specifications

CPU / Chipset / RAM

CPU	Dual-Intel® 64-bit LV-Xeon® 2.8 GHz Processors
Chipset	Intel® E7520 MCH, 6300ESB ICH, 6700PXH Bridge
Memory	Four DDR2-400 REG/ECC 240-pin DIMM slots, up to 16 GB capacity

BIOS

Flash	Award BIOS with 4 Mb flash memory
Features	Intel® PXE pre-boot Remote Console

I/O Interfaces

Graphics	ATI RageXL with 8 MB VRAM, up to SXGA (1280 x 1024) resolution
PMC	PMC: PCI/PCI-X 64-bit 66/100/133 MHz capable
Data Transport	Dual-10/100/1000BASE-T Base Interface channels Dual-1000BASE-BX Fabric Interface channels Dual-10/100/1000BASE-T GbE ports (Optional) Dual-2 Gbps/4 Gbps Fiber Channel Links
Storage	Dual-ATA-33/66/100 channels On-board DMA-enabled CompactFlash® socket On-board 2.5" ATA HDD kits
USB	Dual-USB v2.0 ports
Front Panel I/Os	FC1/2, PMC, VGA, USB1/2, COM

PICMG Standard

Standards	PICMG® 3.0 R2.0 ECN001 PICMG® 3.1 Ethernet/Fiber Channel Over PICMG® 3.0 R1.0, Option7
-----------	---

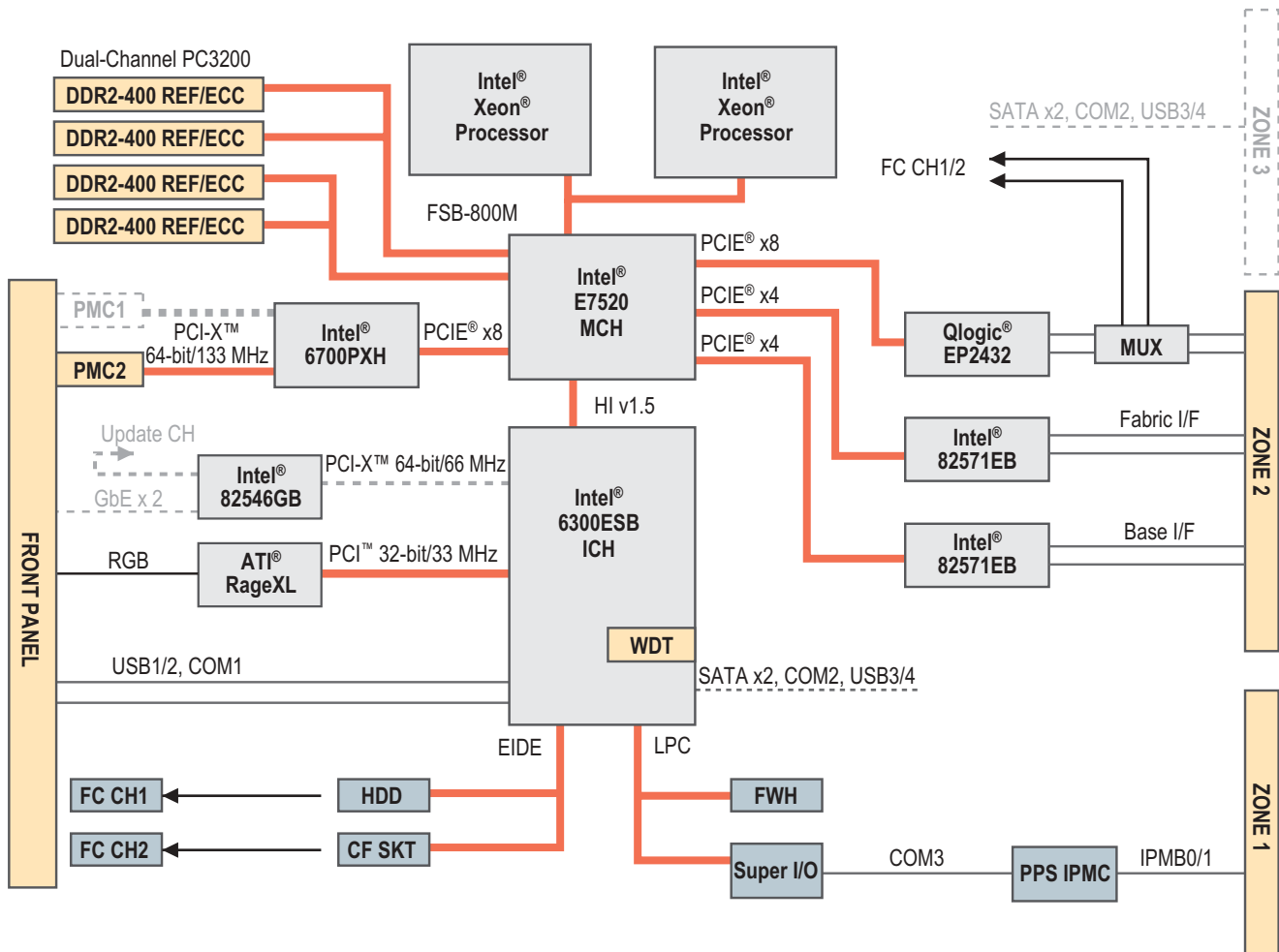
aTCA-6892

Dual-64-bit Intel® LV Xeon® Dual-Fiber Channel AdvancedTCA® Processor Blade

Mechanical and Environmental

Form Factor	PICMG® 3.0 R2.0 ECN001 AdvancedTCA®
Dimensions	322.25 mm x 280 mm x 6 HP (L x W x H)
Weight	3.6 kg 8 lbs
Operating Temp.	0°C to 45°C
Storage Temp.	-20°C to 80°C
Humidity	5% to 95%, non-condensed
Shock	15G peak-to-peak, 11 ms duration, non-operation
Vibration	Non-operation: 1.88 Grms, 5-500 Hz each axis Operation: 0.5Grms, 5-500Hz each axis
Power Consumption	aTCA-6892/Dual-LV-Xeon® 2.8G/4 GB: 175 W
Certification	FCC, CE, CUL, NEBS Level 3 (Design)

Block Diagram



1
AdvancedTCA
Products

2
6U cPCI
SBC

3
6U cPCI
Platforms

4
3U cPCI
SBC

5
3U cPCI
Platforms

6
SBC & IMB

7
Industrial
Chassis

8
Computer
On Modules

9
Network
Security
Appliances

10
Panel PC

11
IPC
Accessories