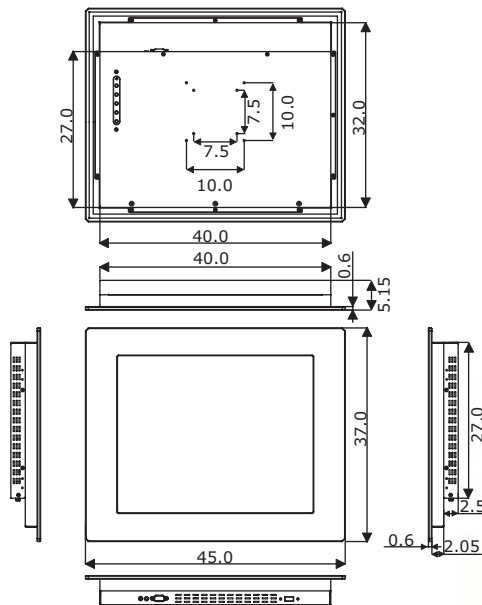


# BPD-9017

17" Panel Display Module with 12V DC Adapter

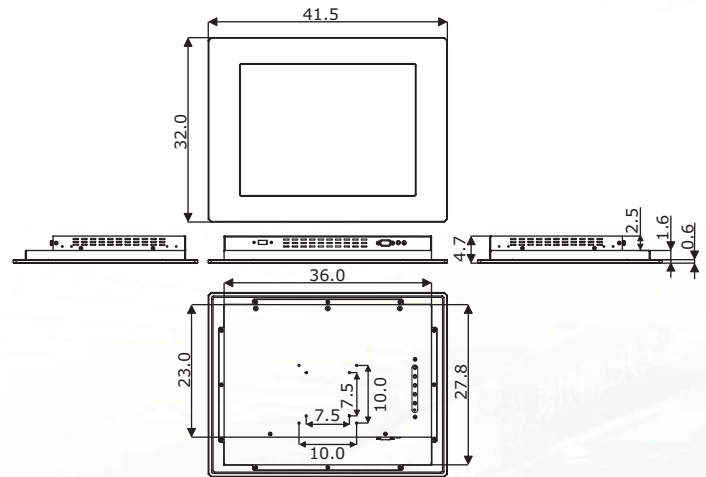


## Features

- 17" TFT color panel display
- Provides VGA input interface, OSD key, 12V DC in 60W adapter
- Max Resolution: 1280 x 1024 pixels
- Brightness: 300 (center, Typ) @ 7.5mA
- Contrast Ratio: 800:1
- LCD Color: 16.7M colors (RGB 6-bits + FRC data)
- Pixel Pitch: 0.264 x 0.264 mm
- Dimensions: 45.0(L) x 5.15(W) x 37.0(H) cm
- Cut Out Size (LxH): 40.4 x 32.4 cm

# BPD-9015

15" Panel Display Module with 12V DC Adapter



## Features

- 15" TFT color panel display
- Provides VGA input interface, OSD key, 12V DC in 60W adapter
- Max Resolution: 1024 x 768 pixels
- Brightness: 350 nit (Typ.) @ 6.5mA
- Contrast Ratio: 400:1
- LCD Color: 262,144 colors
- Pixel Pitch: 0.297 x 0.297 mm
- Dimensions: 41.5(L) x 4.7(W) x 32.0(H) cm
- Cut Out Size (LxH): 36.4 x 28.2 cm

Panel PC

Bare Bone

SBC

Chassis

Power Supply

Backplane