

Power Supply

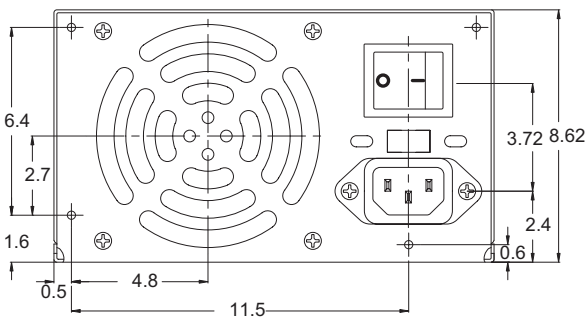
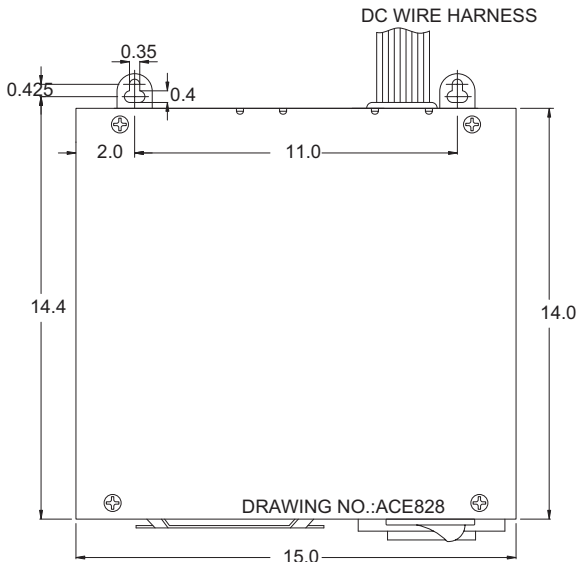
MPM-825A

280W ATX Power Supply



★ Specifications

- * **Input Voltage:** The range of input voltage is from 90VAC to 130VAC or 180VAC to 260VAC, which is auto-switched by building in circuitry. AC rating shown on label is AC 115/230
- * **Input Frequency:** 47~63Hz
- * **Inrush Current:** The inrush current will not exceed 40A at 115V AC input or 80A at 230VAC input, cold start, 25°C
- * **Leakage Current:** The leakage current is less than 0.25mA(max.) at AC 264V/63Hz input
- * **Load Range:** At factory, the +5V at 5A, +12V at 6A, +3.3V at 5A, -12V at 0.2A, -5V at 0A, +5Vsb at 0.3A, the +5V outputs is set to between +5.15V and +5.20V. The other outputs are checked to be within the specified voltage accuracy range
- * **Ripple And Noise:** The peak to peak ripple and noise for +5V, +3.3V outputs are less than 50mV, and for the other outputs are less than 100 mV at rated load. Measuring is done by 15MHz bandwidth limited oscilloscope and terminated each output with a 0.47uF capacitor
- * **Line Regulation:** The output line regulation for each output is less than +/-1% while measuring at rated load and +/-10% of 115VAC or 230 VAC input voltage changing
- * **Load Regulation:** The output voltage load regulation is less than the values in the following table by changing each output load +/-40% from 60% rated load, and keep all other outputs at 60% rated load
- * **Hold Up Time:** The hold up time is longer than 20mS at 115VAC input and rated load which is measured from the end of the last charging pulse to when the main output drops down to 95% output voltage
- * **Output Power:** The total DC continuous power shall be kept within 280W at ambient temperature of 40°C below, and input voltage at 115VAC or 230VAC. The maximum, total combined output power on the 3V3 and 5V rails is 150W. The other outputs max. load cannot be more then 30 sec.
- * **Power Good Signal:** When power is turned on, the power good signal will go high 100ms to 500ms after all output DC voltages are within regulation limits
- * **Power Failure Signal:** The power fail signal will fall at least 1 ms before any of the output voltages lower the regulation limits
- * **Efficiency:** The efficiency is higher than 65% while measuring at nominal line and rated output
- * **Protection:**
 - Over Voltage: For some reason the power supply might fail to control itself, the build-in crowbar circuit will automatically shut down the outputs to avoid damaging the external circuits. The trip point of O.V.P. circuit is around 5.7V to 7.0V
 - Short Circuit: The power supply will go into hiccup mode function against short circuit or over load conditions. If the faults condition removed, the power supply will restart automatically
- * **Over Temp. Protection:** When the power supply operating over the temperature limit, the power supply will be shut down automatically to protect itself
- * **Temperature:** 0~70°C (operating), when the ambient temperature is over 40°C (115V/230V), the output power should be derated as following curve; -40~+75°C (storage)
- * **Humidity:** The power supply can operate from 5% humidity to 95% humidity non-condensing at 40°C
- * **Connectors:**
 - AC Inlet: Meet IEC 320 / CEE 22 standard
 - AC Switch: Rocker switch ATX: ALEX 9358-20 or equivalent
 - Disk Drive: AMP 1-480424-0 or equivalent
 - 3.5" Floppy Driver: AMP 171822-4 or equivalent
- * **Dimensions:** 14.0 x 15.0 x 8.62 cm; Tolerance specified is +/-0.4mm between mounting holes and +/-0.8mm for other dimensions



| Output Voltage | Min. Load | Rated Load | Max. Load | Voltage Accuracy |
|----------------|-----------|------------|-----------|------------------|
| +5V | 0A | 25A | 30A | 4.8~5.3V |
| +12V | 0.1A | 10A | 15A | 11.4~12.6V |
| -12V | 0A | 0.5A | 1A | -11.4~-12.6V |
| -5V | 0A | 0.5A | 1A | -4.75~-5.25V |
| +3.3V | 0A | 8A | 15A | 3.13~3.47V |
| +5Vsb | 0A | 0.72A | 1.2A | 4.75~5.25V |

Safety Standards

- * **Safety:** UL 2601-1, CSA 22.2 No.601-1, EN 60601-1
- * **EMI:** FCC class "B", EN 55022 class "B"
- * **EMS:** IEC-801-2 8KV air discharge, IEC-801-3 3V/M, IEC-801-4 2KV, IEC-801-5 2KV

The Industrial PC Authority



BOSER Technology Co., Ltd.

15F-6, No. 77, Hsin Tai Wu Road, Sec. 1, Hsichih, Taipei Hsien 221 Taiwan TEL : 886-2-26983333 FAX : 886-2-26983300
<http://www.boser.com.tw> <http://www.isb.com.tw> <http://www.ipc.com.tw> E-Mail: webmaster@boser.com.tw

U.S.A.
 TEL : +1 650 4280868
 FAX : +1 650 4281172

GERMANY
 TEL : +49 221 954790
 FAX : +49 221 9547988

U.K.
 TEL : +44 1543 486552
 FAX : +44 1543 486553

ITALY
 TEL : +39 051 452042
 FAX : +39 051 455046

KOREA
 TEL : +82 2 34737862
 FAX : +82 2 34743120

ISRAEL
 TEL : +972 3 9203456
 FAX : +972 3 9203535

FRANCE
 TEL : +33 1 69061790
 FAX : +33 1 69433732

FINLAND
 TEL : +358 2 6203753
 FAX : +358 2 6203770

SHANGHAI
 TEL : 021 63676295-7
 FAX : 021 63676286