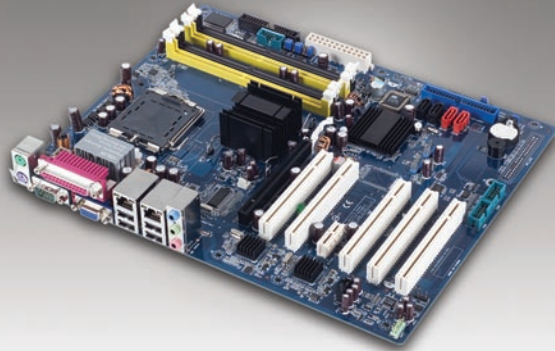


AIMB-763

LGA775 Core 2 Duo/Pentium 4/Celeron® D Processor-based ATX with DDR2/PCIe/Dual GbE LAN

NEW



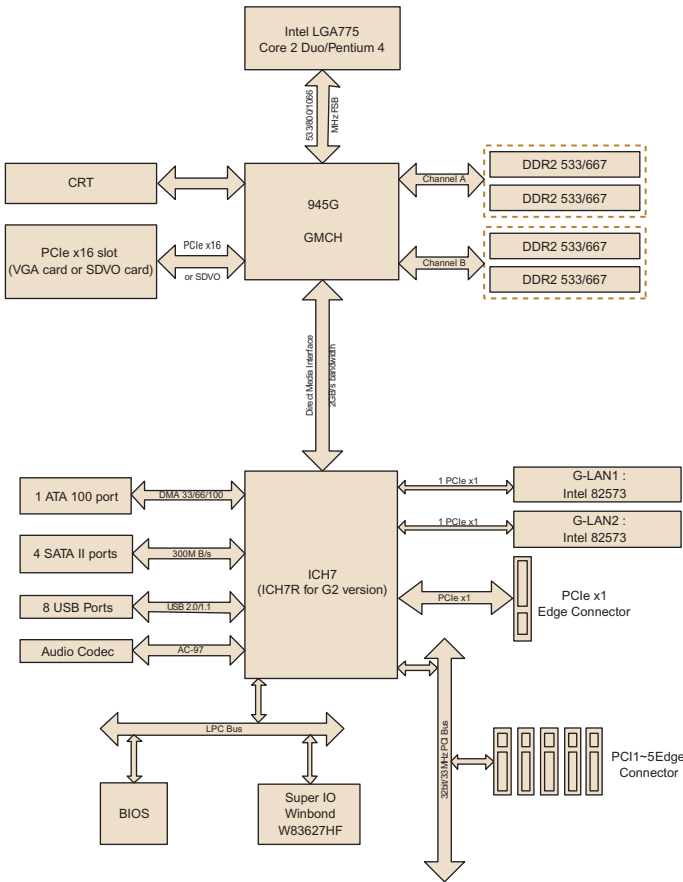
Features

- Supports Core 2 Duo FSB 800/1066 MHz
- Dual channel DDR2 533/667 SDRAM up to 4 GB
- Chipset integrated VGA sharing 224 MB system memory
- PCIe x16 slot for VGA card
- Supports 10/100/1000Base-T Ethernet via dedicated PCIe x 1 bus
- Supports SATA RAID 0,1,5 and 10 for G2 version

Specifications

Processor System	CPU	Core 2 Duo	Intel Pentium 4	Intel Celeron D
	Max. Speed	2.66 GHz (Dual-core)	3.8 GHz	3.06 GHz
	L2 Cache	4 MB	2 MB/1 MB	512KB/256KB
	Chipset	Intel 945G + ICH7 (ICH7R for G2 version)		
	BIOS	Award 8 Mb FWH		
	Front Side Bus	533/800/1066 MHz		
Expansion Slot	PCIe x16	4.0 GB/s per direction, 1 slot		
	PCIe x1	1.0 GB/s per direction, 1 slot		
	PCI	32-bit/33MHz, 5 slots		
Memory	Technology	Dual channel DDR2 533/667 MHz		
	Max. Capacity	4 GB		
Graphic	Socket	240-pin DIMM x 4		
	Embedded	Chipset integrated VGA controller sharing 224 MB system memory		
Ethernet	Add-on	PCIe x16 slot		
	Interface	10/100/1000 Base-T		
	Controller	G-LAN1: Intel 82573 G-LAN2: Intel 82573 (2 PCIe x1)		
SATA II	Connector	RJ45 with LED connector x 2		
	Max. Data Transfer Rate	300 MB/s		
EIDE	Channel	4		
	Mode	ATA 100/66/33		
I/O Interface	Channel	1 (Max. 2 devices)		
	VGA	1		
	USB	Max. 8 (USB 2.0 compliant), 4 ports on board		
	Audio	3 (LINE-Out, LINE-In, and MIC-In)		
	Serial	2 (for VG version); 4 (for G2 version). COM2 supports RS-232/422/285		
	Parallel	1 (SPP/EPP/ECP)		
	FDD	1		
	PS/2	2		
Watchdog Timer	GPIO	N/A		
	Output	Interrupt, system reset		
Power Requirement	Interval	Programmable 1 ~ 255 sec		
	Typical	Pentium 4 3.8 GHz (800 MHz FSB), 4 x 1 GB DDR2 667 SDRAM		
	+5 V	+3.3 V	+12 V	
Environment	3.10 A	1.54 A	9.90 A	
	Operating	Non-Operating		
Physical Characteristics	Temperature	0 ~ 60 °C (32 ~ 140 °F), depends on CPU's speed and cooler solution.		-20 ~ 70 °C (-40 ~ 158 °F)
	Dimensions (W x D)	304.8 x 244 mm (12" x 9.6")		

Block Diagram



Ordering Information

Part Number	Embedded VGA	PCIe x16 for VGA	Gigabit LAN
AIMB-763VG-00A1E	Yes	Yes	Single
AIMB-763G2-00A1E	Yes	Yes	Dual

Packing List

Description	Quantity
FDD cable	X 1
IDE HDD cable	X 1
Serial ATA HDD data cable	X 2
Serial ATA HDD power cable	X 2
COM port cable kit	X 1
I/O port bracket	X 1
Startup manual	X 1
Utility CD	X 1

Bracket View



AIMB-763VG-00A1E



AIMB-763G2-00A1E

Accessories

Part Number	Description
1750000334	LGA775 CPU cooler up to 3.8 GHz (115 W), 4U, 5U and 7U chassis
1750001661	LGA775 CPU cooler for 2U chassis