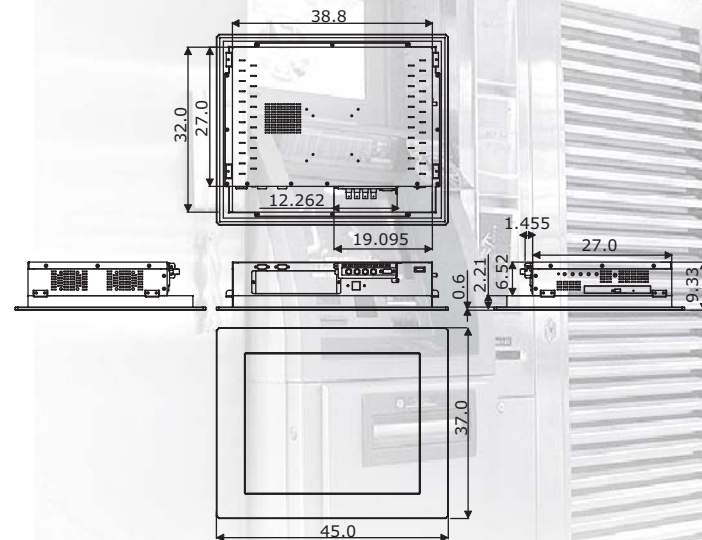


# BPC-5017

17" High Speed Panel PC with Touch Screen, MainBoard, 12V DC Adapter, 1 x Expansion slot



## Features

- Aluminum front panel design
- 17" TFT color panel display
- Built-in OSD key, touch screen, 12V DC adapter
- BPC-5017-C w/HS-1752, provides Intel® P-M/C-M processor, 6 x COM, 6 x USB2.0
- BPC-5017-Q w/HS-1750, provides Intel® Core™ Duo processor, 4 x COM, 6 x USB2.0, DVI display, PCI expansion slot
- Onboard graphics, dual GB ethernet, audio controller
- 1 x 2.5" HDD space, 1 x slim CD-ROM space
- 2 x 4cm ball bearing cooling fan
- Option for Wireless LAN module

## Display

- LCD Size**  
17"
- Max Resolution**  
1280 x 1024 pixels
- Brightness (cd/m<sup>2</sup>)**  
300 (center, Typ) @ 7.5mA
- Contrast Ratio**  
800:1
- LCD Color**  
16.7M colors (RGB 6-bits + FRC data)
- Pixel Pitch (mm)**  
0.264 x 0.264
- OSD**  
Provides OSD function
- Touch Screen**  
17" resistive

## Mechanical

- Thermal System**  
2 x 4cm ball bearing cooling fan
- Dimensions (LxHxW)**  
45.0 x 37.0 x 9.33 cm
- Cut Out Size (LxH)**  
39.2 x 32.4 cm
- Operation/Storage Temperature**  
0~+45 degrees C/-20~+70 degrees C
- EMC**  
FCC/CE
- Front Panel Protection**  
IP65 compliance
- Power Adapter**  
12V DC in 150W adapter

## Ordering Guide

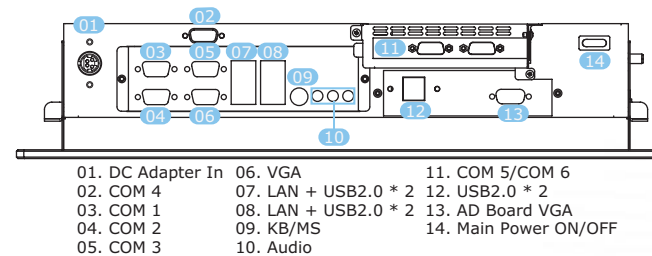
- BPC-5017-C**  
17" Panel PC w/TFT Panel, Touch Screen, HS-1752, 12V DC Adapter
- BPC-5017-Q91**  
17" Panel PC w/TFT Panel, Touch Screen, HS-1750, 12V DC Adapter

- Accessory Options**  
Table Top Metal Stand, CPU, Memory Module, Wireless LAN Module, 2.5" HDD, Slim CD-ROM, Riser Card (BPC-5017-Q only)

## System

### BPC-5017-C

- SBC Model**  
HS-1752
- CPU**  
Intel® Pentium® M/Celeron® M processor in the u-FCPGA 478 package (option)
- BIOS**  
Award BIOS with 4Mb SPI Flash EEPROM
- System Chipset**  
Intel® 915GME/ICH6-M
- System Memory**  
2 x 240-pin DIMM socket up to 2GB DDR2 SDRAM
- Display Chipset**  
Intel® 915GME
- Audio Chipset**  
RealTek ALC655 5.1CH audio codec
- Ethernet Chipset**  
Dual RealTek RTL8111B 10/100/1000 Mbps LAN Provides Wireless LAN module (option)
- Drive Bay**  
1 x 2.5" HDD space  
1 x Slim CD-ROM space
- Watchdog Timer**  
Reset: 1 sec.~255 min. and 1 sec. or 1 min./step
- External I/O**  
6 x COM, VGA, 2 x LAN, 6 x USB2.0, PS/2 KB/MS, MIC In, Line In, Line Out, AD Board VGA
- Rear I/O**



### BPC-5017-Q

- SBC Model**  
HS-1750
- CPU**  
Intel® Core™ Duo T2050 processor (option)
- BIOS**  
Award BIOS with 4Mb Flash EEPROM
- System Chipset**  
Intel® 945GME/ICH7-M
- System Memory**  
2 x 200-pin SO-DIMM socket up to 4GB DDR2 SDRAM
- Display Chipset**  
CRT: Intel® 945GME  
DVI: Chronitel CH7307
- Audio Chipset**  
RealTek ALC655 5.1CH audio codec
- Ethernet Chipset**  
Dual Marvell 88E8053 10/100/1000 Mbps LAN Provides Wireless LAN module (option)
- Drive Bay**  
1 x 2.5" HDD space  
1 x Slim CD-ROM space
- Watchdog Timer**  
Reset: 1 sec.~255 min. and 1 sec. or 1 min./step
- Expansion**  
1 x Standard PCI expansion slot
- External I/O**  
4 x COM, PS/2 KB, PS/2 MS, VGA, DVI, 2 x LAN, 6 x USB2.0, MIC In, Line In, Line Out, AD Board VGA
- Rear I/O**

