



IEI AFL Multimedia Touch Monitor

7"~19" AFL Multimedia Touch Monitor

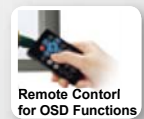
The innovative yet elegant AFL Multimedia monitors with built in speakers are easily implemented in diverse applications including motor vehicles, surveillance devices and digital signage solutions.



IP 64 Compliant



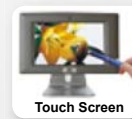
Stand



Remote Control for OSD Functions



Built-in Speakers



Touch Screen



Five Video Inputs



5-in-1
Multiple Video Inputs



Ambient
Light Sensor



PIP Function

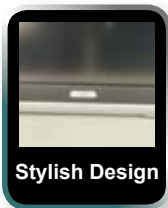


Remote Control

AFL Multimedia Touch Monitor

Features

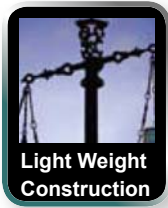
- 7"~19" TFT LCD Monitor
- Elegant design with durable and light plastic construction
- Multiple video inputs are suitable for more applications
- Built-in speakers
- Ambient light sensor (ALS) detects ambient light for automated screen adjustments to optimize viewing.
(For AFL-15M/17M/19M only)
- Remote control for OSD functions
- Picture-in-Picture (PIP) function
- Supports panel, wall, rack or VESA stand mounting (Optional)
- Supports RS-232 or USB touch screen panel (Optional)
- IP 64 compliant plastic front panel
- RoHS compliant



Stylish Design

Stylish Design

The clean and refreshingly simple looks of the AFL monitors provide an aesthetic interface for public area applications (e.g. ATMs) and industrial solutions (e.g. operator terminal).



Light Weight Construction

Light Weight Construction

Light weight construction ensures the AFL can be rack mounted, panel mounted and mounted on a VESA stand.

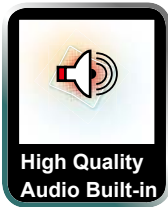


DM-150GS
6kgs



AFL-15M
3.2kgs

**Only Half Weight
of DM Series**



High Quality
Audio Built-in

High Quality Audio Built-in

Two built-in speakers deliver dual 1.5/3 watts sound for your multimedia enjoyment.



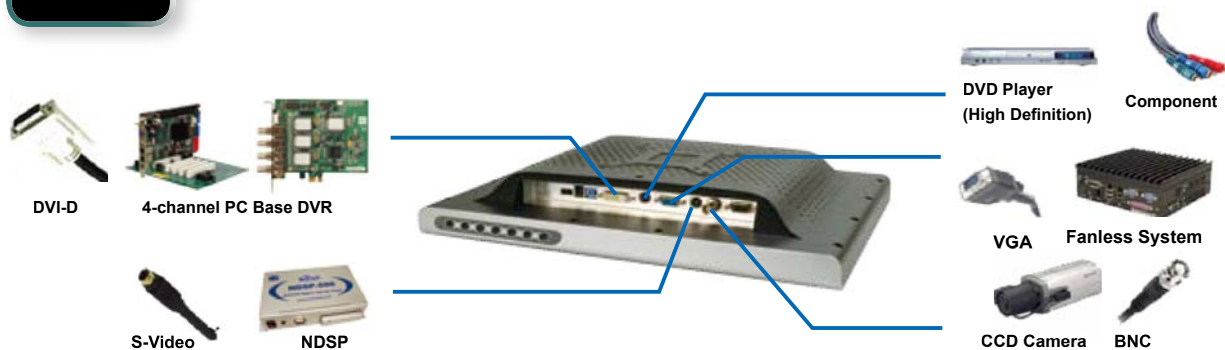
5 Video Inputs

5 Video Inputs

The AFL-15M/17M/19M have multiple video inputs through common video connectors including VGA, DVI-D, S-Video, component and BNC video input interfaces.

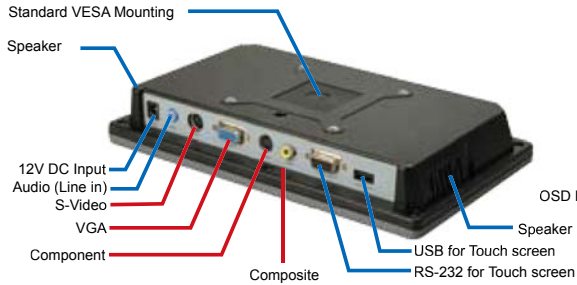
The 5-in-1 system connects to a wide range of devices and most electronic appliances.

(The AFL-07M/08M/10M/12M has a 4-in-1 system with VGA, S-Video, Component and Composite)



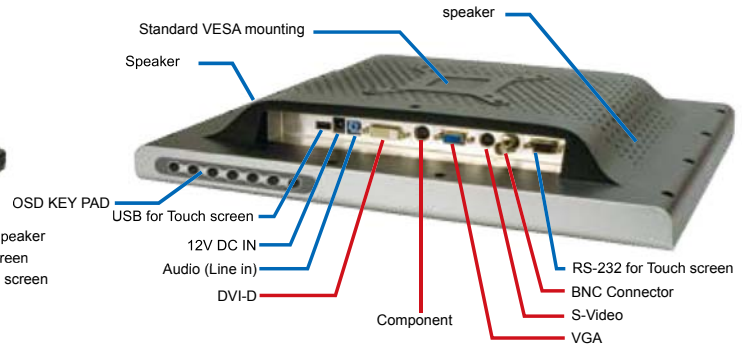
AFL-07M/08M/10M/12M

4-in-1 Multiple Video Input System



AFL-15M/17M/19M

5-in-1 Multiple Video Input System (DVI-D Added)



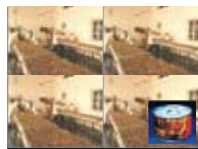
PIP Functions

PIP enables a second video/image to be viewed in a small on-screen window. Images from other sources including DVR and DVD devices can also be viewed in the PIP window.

The small onscreen window can be easily resized and moved to a specified onscreen location. Alternatively, "picture-outside-picture" (POP) can be implemented by dividing the screen into two equally sized portions with two different outputs being displayed on either screen.

PIP Settings :

- Three sizes including small, medium and large
- Four positions including upper left, lower left, upper right and lower right.
- Independent PIP widow color controls (brightness, contrast, hue and saturation)
- A blend function makes the PIP transparent



Picture In Picture
(Video on Video)



Side by Side
(Video & Video)



Picture In Picture
(Video on Graphics)



Side by Side
(Video & Graphics)

Main screen and sub screen can't display BNC/S-Video or VGA/YPbPr inputs at the same time



Full OSD Functions

Integrated OSD functions under the front panel enables convenient monitor configuration. Image, display ,PIP, color and system configurations can all be set with the hidden OSD.



Image



System



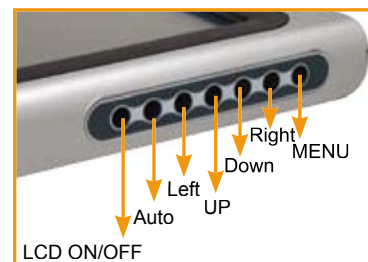
Color



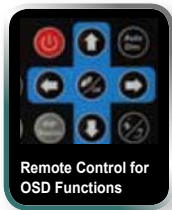
PIP



Display

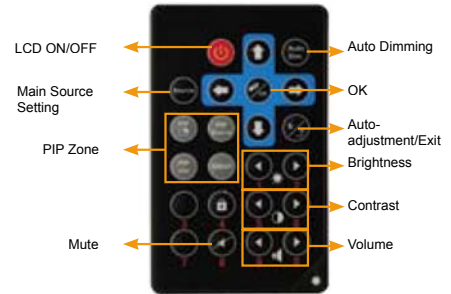


OSD Keypad is designed for AFL-15M/17M/19M



Remote Control for OSD Functions

Hot-keys on the remote control include PIP zone, main source setting, auto-dimming, brightness, contrast and volume. Remote control hot-keys ensure easy configuration of the AFL.



Ambient Light Sensor

The AFL 15M, 17M and 19M models with a mbient light sensor ensures your monitor performs optimally in all lighting conditions.

The ambient ALS can be turned on or off according to the users preference and the operational environment. Some of the AFL benefits include:

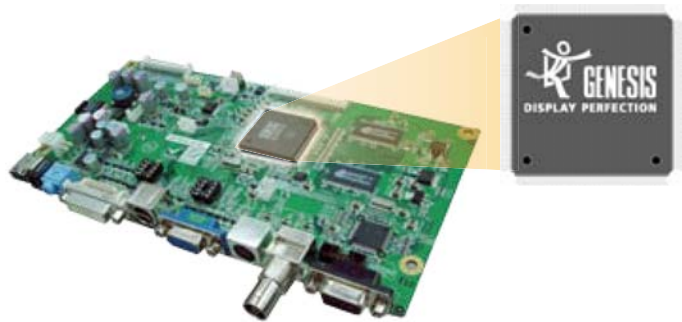
- Reduces cost of operation by reducing the power usage
- Extends backlight life
- Provides comfortable viewing



ALS is placed on the front side ,where there is an opening for light

Superior Image Quality-Functions

Advanced patented imaging technology on the AFL LCD controller ensures the IEI AFL has superior video quality.



Multi-function Touch Monitors

The AFL multimedia touch monitors with the advanced LCD monitor controller supports resolutions up to and including WUXGA. The monitors are mid-range cost effective LCD TVs with PC and HDTV connectivity.

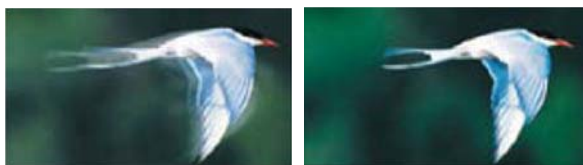
High Definition Multi-function Touch Monitor

With VGA/YPbPr video input, the AFL multimedia monitors can accept 1080i high resolution images.

Advanced patented imaging technology on the AFL LCD controller includes **Response Time Compensation (RTC)** and **Directional Correlation Deinterlacing (DCDi)** and ensures the IEI AFL has superior video image quality.

Response Time Compensation

Motion blur in motion videos is prevented by RTC technology that enables the LCDs to respond as fast as CRTs.



DCDi Technology

Jagged edges on diagonal lines caused by interpolation are eliminated with the DCDi video mode algorithm.



Superior Image Quality-Testing

IEI Color Adjustment

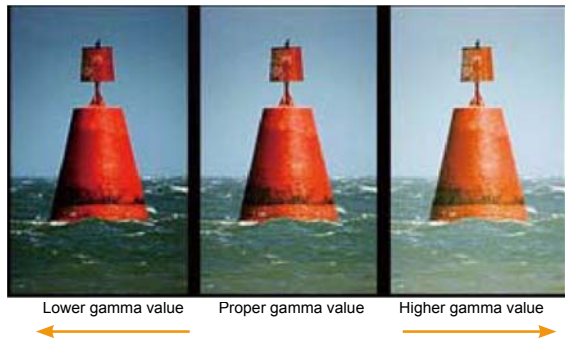
Panel manufacturing processes may cause inconsistencies in an LCDs image quality. To ensure each panel produced has consistent image quality, each panel is tested by IEI's unique color adjustment system based on gamma curve, gray balance, and white balance measurement standards.



Color Adjustment Dark Room

GAMMA Curve Adjustment

If a display device does not have the proper gamma response, the picture will be less than satisfactory. If the gamma is too low, the picture will have too much contrast and will lose detail. If it is too high, the picture will be washed out.



Industrial Grade Compliance

Industrial Grade Compliance

IP 64 Compliant

The IP 64 compliant AFL-xxM series front panel guarantees the highest level of ingress protection against dust and low pressure water spray. The AFL monitors can withstand any industrial environment where dust and drizzle is encountered.

RS-232 or USB Touch Panel

AFL-xxM series supports 4/5 wire resistive touch screen via an RS-232 or a USB interface. The optional touch panel can withstand the demanding requirements of harsh industrial environments and outdoor applications such as POS, kiosks, retail, transportation, gaming, and surveillance.

The touch panel with PIP assists production management



Best Choices for Multimedia Applications



- Wide Screen for AFL-07M
- Multiple Video Input
- Internal Speakers (1.5W/1.5W)
- Remote Control for OSD Functions

AFL-07M/08M/10M Transportation

Small size industrial –grade LCDs are ideal for in-vehicle systems in trucks, public transport vehicles, and police cars. AFL in-vehicle LCDs used in car navigation systems and as monitors for rear-seat entertainment systems are able to withstand vibrations caused by the motion of the vehicle.



Car



Bus



Train



- Internal Speakers (1.5W/1.5W)
- Superior Image Quality
- Multiple Video Input
- Remote Control for OSD Functions

AFL-12M/15M Retail Solution

Our touch solutions provide reliable interaction making them ideal for use in retail applications. The touch function will speed up the point of sale transactions , and self-service viable.



POS



Outdoor KIOSK



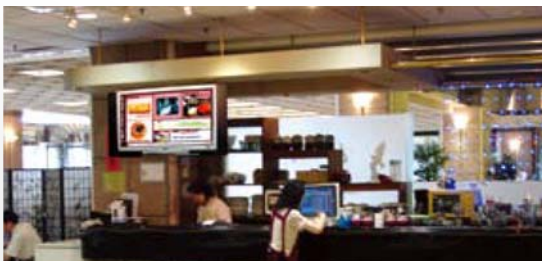
KIOSK



- 160°/160° Wide Viewing Angles
- Remote Control for OSD Functions
- Superior Image Quality
- Internal Speakers (3W/3W)

AFL-17M/19M Advertising and Gaming Platform

The AFL monitors deliver superior picture quality and 160°/160° wide viewing angles make it the best platform for advertising and gaming.



Digital Signage



Gaming Machine

Industrial Grade Compliance

VESA Mounting Standards

The AFL-M series has four mounting holes compliant with the VESA mounting standard (75mm x 75mm/ 100mm x 100mm) on the rear panel for stand mounting and other mounting methods.

Stand KIT

Easy Stand

STAND-A08 (for 7" and 8.4")

(Support up to 5 kg)

STAND-A12 (for 10.4" and 12.1")

(Support up to 5 kg)

STAND-A19 (for 15" ,17" and 19")

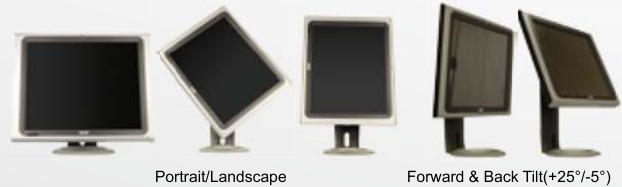
(Support up to 7.5 kg)



Comfortable Stand

STAND-B19 (for 15",17" and 19")

(Support up to 7.3 kg)



Panel mount kits

AFLPK-07

AFLPK-08

AFLPK-10

AFLPK-12



Wall mount kits

AFLWK-07

AFLWK-08

AFLWK-10

AFLWK-12



AFLWK-15

AFLWK-17

AFLWK-19



Specifications

will be available in the end of August

450 nits High Brightness

will be available in the end of August



Model	AFL-07M	AFL-08M	AFL-08MH	AFL-10M	AFL-12M	AFL-15M	AFL-17M	AFL-19M
Display Size	7"	8.4"	8.4"	10.4"	12.1"	15"	17"	19"
Max Resolution	800 x 480 (WVGA)	800 x 600 (SVGA)	800 x 600 (SVGA)	1024 x 768 (XGA)	1024 x 768 (XGA)	1024 x 768 (XGA)	1280 x 1024 (SXGA)	1280 x 1024 (SXGA)
Brightness (cd/m ²)	350	220	450	400	450	350	300	300
Contrast Ratio	400:1	500:1	500:1	1200:1	700:1	400:1	800:1	800:1
LCD Color	262K	262K	262K	16.2M	262K	262K	16.7M	16.7M
Pixel Pitch (mm)	0.1905(H) x 0.1905(V)	0.213(H) x 0.213(V)	0.213(H) x 0.213(V)	0.0685(H) x 0.2055(V)	0.240(H) x 0.240(V)	0.297(H) x 0.297(V)	0.264(H) x 0.264(V)	0.294(H) x 0.294(V)
Viewing Angle (H/V)	140°/100°	130°/110°	120°/100°	160°/160°	160°/160°	120°/100°	160°/160°	
Backlight MTBF (Hrs)	30000	20000	50000					
Input Video Signal Connector	1. Composite (NTSC/PAL) 2. YPbPr 3. S-Video 4. VGA					1. BNC Connector (NTSC/PAL) 2. YPbPr 3. S-Video 4. VGA 5. DVI		
Audio In	AMP 1.5W + AMP 1.5W (internal speaker)						AMP 3W + AMP 3W (internal speaker)	
Extension	IR Sensor (Remote Control)					1. Ambient Light Sensor 2. IR Sensor (Remote Control)		
Construction Front Panel	ABS and PC Plastic front frame							
Construction Chassis	Aluminum Chassis							
Power Adapter	36W					60W		
On Screen Display (OSD)	Remote Control for OSD Functions					1. OSD Keypad below the Front Panel 2. Remote Control for OSD Functions		
User's Controls	Image (Brightness, Contrast, Sharpness), Display (Auto Adjust, Phase, Clock, Display Control) PIP (Pip On/Off, Pip Input Select, Pip Size, Pip Position, Pip Color Controls, Blend) Color (Auto Color, Color Temperature, sRGB) System (Audio, Factory Reset, Information, Input select, Misc)					OSD Buttons: Power, Left, Up, Down, Right, Menu OSD: Image (Brightness, Contrast, Sharpness), Display (Auto Adjust, Phase, Clock, Display Control) PIP (Pip On/Off, Pip Input Select, Pip Size, Pip Position, Pip Color Controls, Blend) Color (Auto Color, Color Temperature, sRGB) System (Audio, Factory Reset, Information, Input select, Misc)		
Mounting	Panel / Wall mounting (VESA 75 x 75mm)			Panel / Wall mounting (VESA 75 x 75mm / 100 x 100mm)		Wall mounting (VESA 100 x 100mm)		
Dimension (WxHxD) (mm)	226 x 140 x 40.18	233.86 x 183.86 x 41.09	233.86 x 183.86 x 41.09	276 x 227 x 50.7	304 x 246 x 49.5	393.06 x 308.06 x 61	428 x 350 x 65	469.94 x 382.46 x 67
Operation Temperature (°C)	0~+50°C							
Net Weight (Kg)	0.88	1.14	1.14	1.33	2.12	3.2	5.0	5.6
Front Panel Protection	IP 64 Compliant							

Options

	AFL-07M	AFL-08M	AFL-12M	AFL-12M	AFL-15M	AFL-17M	AFL-19M
Panel Mounting Kits	AFLPK-07	AFLPK-08	AFLPK-10	AFLPK-12	N/A		
Wall Mounting Kits	AFLWK-07	AFLWK-08	AFLWK-10	AFLWK-12	AFLWK-15	AFLWK-17	AFLWK-19
Rack Mounting Kits	AFLRK-07	AFLRK-08	AFLRK-10	AFLRK-12	N/A		
LCD Monitor Stand	STAND-A08	STAND-A08	STAND-A12	STAND-A12	STAND-A19 / STAND-B19		

Packing List

Item	Part No.	Remark
Power Cord	32000-000002-RS	Length:180cm
VGA Cable	32000-036200-RS	Length:180cm
Audio Cable	32000-036500-RS	Length:180cm
Component Cable	32000-083700-RS	Length:10cm
Component Extend Cable	32000-088100-RS	Length:170cm
DVI Cable	32000-086600-RS	Length:180cm for AFL-15M / 17M / 19M
36W Power Adapter	63000-FSP0361AD101C-RS	for AFL-07M / 08M / 10M / 12M
60W Power Adapter	63000-FSP0601AD101C-RS	for AFL-15M / 17M / 19M
User's Manual CD-ROM	7B000-000087-RS	
Remote Control	7Z000-8T00322ICP01G-RS	
Touch Pen	XTR104-0002-RS	for Touch Screen Models
Touch Screen RS-232 Cable	32000-000098-RS	Length:180cm for Touch Screen Models



Ordering Information


7" AFL Multimedia Touch Monitor

	AFL-07M	7" 350cd/m ² WVGA LCD Monitor, Plastic Front Panel, Gray Color, RoHS
<i>will be available in the end of August</i>	AFL-07M/T-R	7" 350cd/m ² WVGA LCD Monitor, Plastic Front Panel, Gray Color, With 7" Touch Screen, RoHS



8.4" AFL Multimedia Touch Monitor

	AFL-08M	8.4" 220cd/m ² SVGA LCD Monitor, Plastic Front Panel, Gray Color, RoHS
	AFL-08M/T-R	8.4" 220cd/m ² SVGA LCD Monitor, Plastic Front Panel, Gray Color, With 8.4" Touch Screen, RoHS
AFL-08MH	8.4" 450cd/m ² High Luminance SVGA LCD Monitor, Plastic Front Panel, Gray Color, RoHS	
AFL-08MH/T-R	8.4" 450cd/m ² High Luminance SVGA LCD Monitor, Plastic Front Panel, Gray Color, With 8.4" Touch Screen, RoHS	



10.4" AFL Multimedia Touch Monitor

	AFL-10M	10.4" 400cd/m ² XGA LCD Monitor, Plastic Front Panel, Gray Color, RoHS
<i>will be available in the end of August</i>	AFL-10M/T-R	10.4" 400cd/m ² XGA LCD Monitor, Plastic Front Panel, Gray Color, With 10.4" Touch Screen, RoHS


12.1" AFL Multimedia Touch Monitor

	AFL-12M	12.1" 450cd/m ² XGA LCD Monitor, Plastic Front Panel, Gray Color, RoHS
	AFL-12M/T-R	12.1" 450cd/m ² XGA LCD Monitor, Plastic Front Panel, Gray Color, With 12.1" Touch Screen, RoHS

15" AFL Multimedia Touch Monitor

	AFL-15M	15" 350cd/m ² XGA LCD Monitor, Plastic Front Panel, Gray Color, RoHS
	AFL-15M/T-R	15" 350cd/m ² XGA LCD Monitor, Plastic Front Panel, Gray Color, With 15" Touch Screen, RoHS

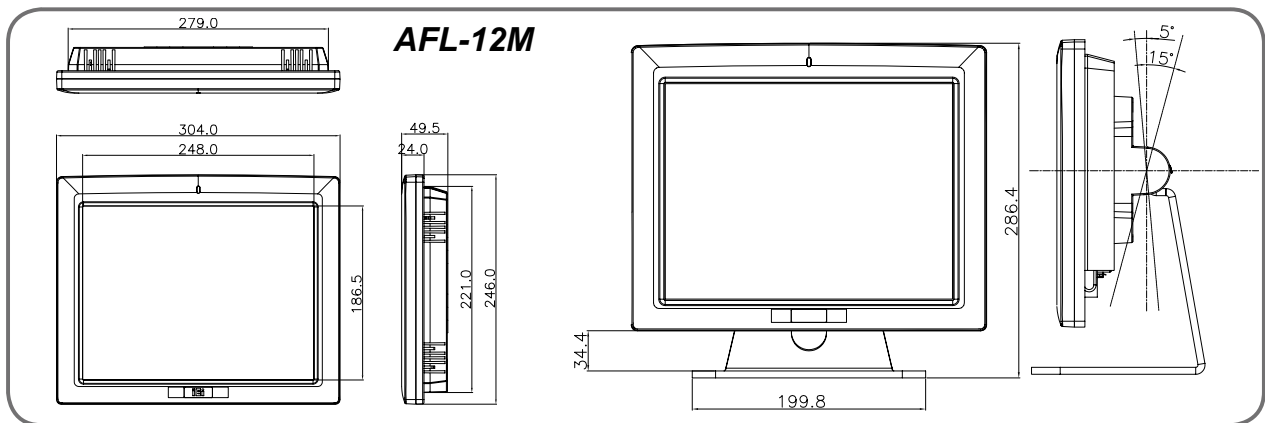
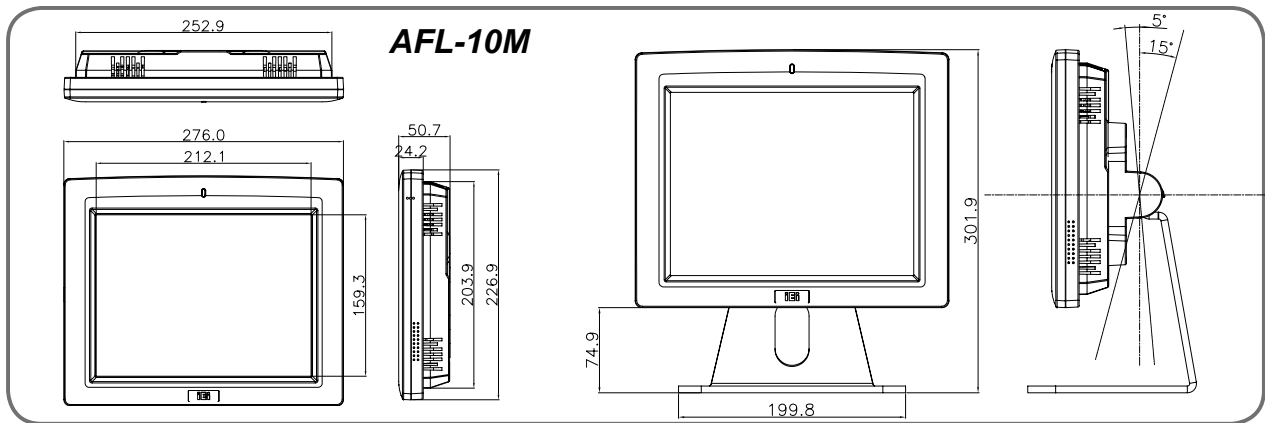
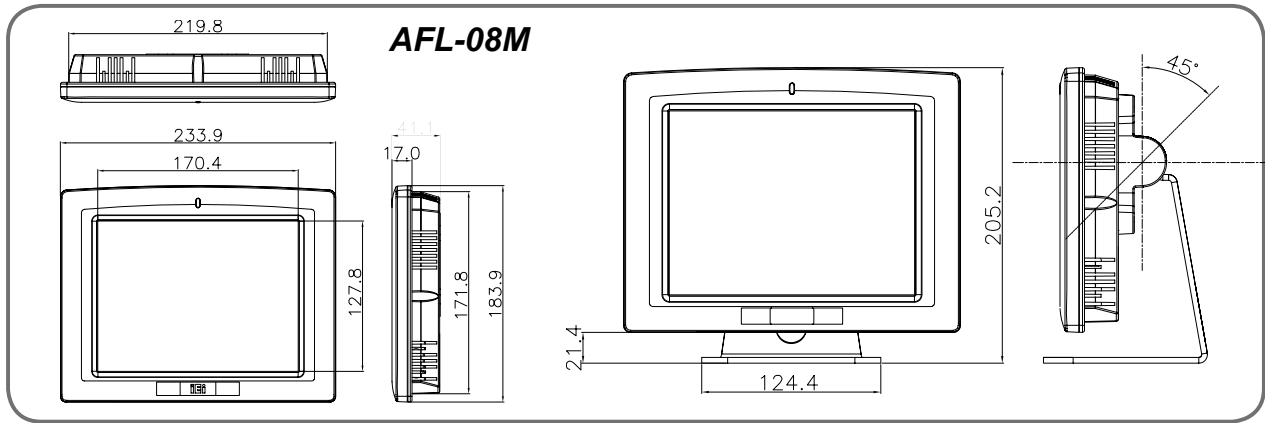
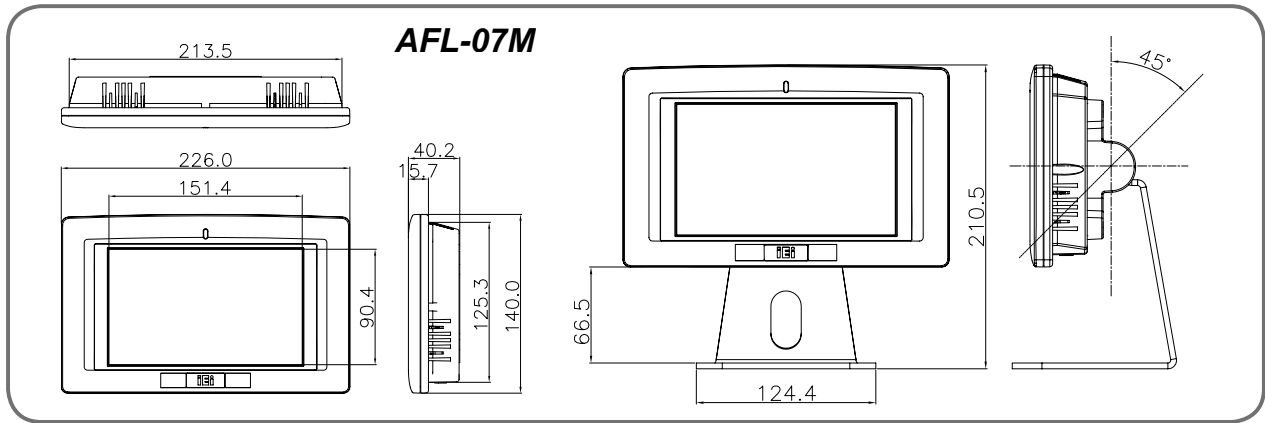
17" AFL Multimedia Touch Monitor

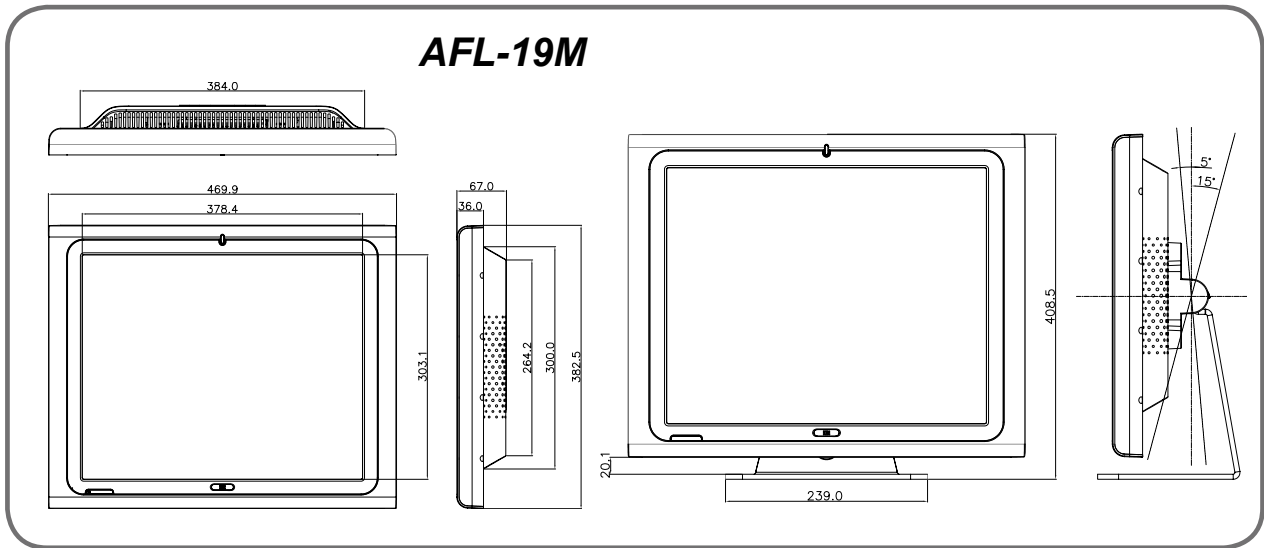
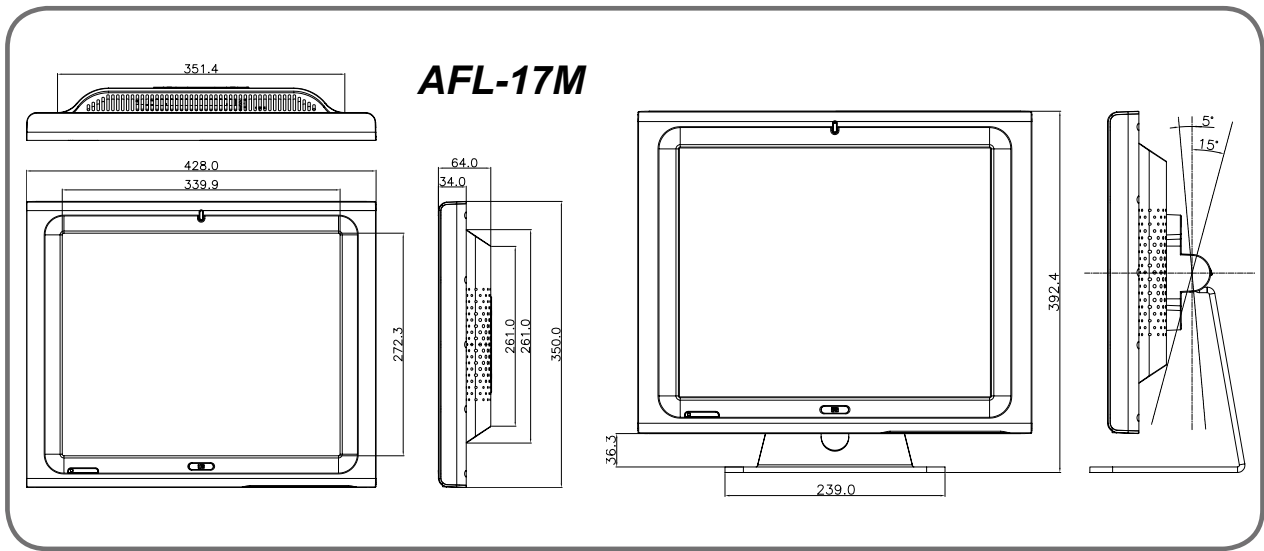
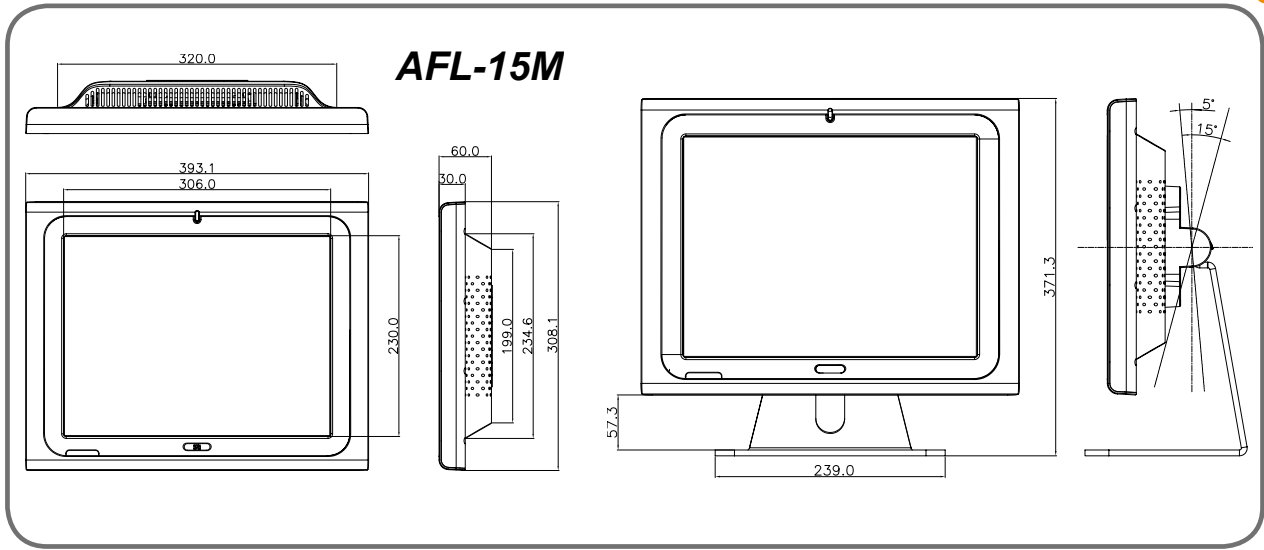
	AFL-17M	17" 300cd/m ² SXGA LCD Monitor, Plastic Front Panel, Gray Color, RoHS
	AFL-17M/T-R	17" 300cd/m ² SXGA LCD Monitor, Plastic Front Panel, Gray Color, With 17" Touch Screen, RoHS

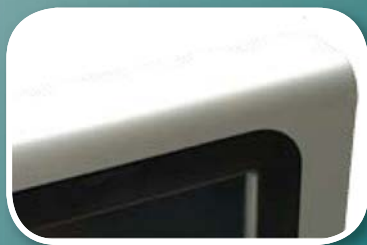
19" AFL Multimedia Touch Monitor

	AFL-19M	19" 300cd/m ² SXGA LCD Monitor, Plastic Front Panel, Gray Color, RoHS
	AFL-19M/T-R	19" 300cd/m ² SXGA LCD Monitor, Plastic Front Panel, Gray Color, With 19" Touch Screen, RoHS

Dimensions







Headquarters

IEI Technology Corp.

TEL : +886-2-86916798 FAX : +886-2-66160028
sales@ieiworld.com www.ieiworld.com
No. 29, Jhongsing Rd., Sijhih City, Taipei County, 221, Taiwan

America-United States

IEI Technology USA Corp.

Tel: +1-909-595-2819 Fax: +1-909-595-2816
sales@usa.ieiworld.com www.usa.ieiworld.com
168 University Parkway, Pomona, CA 91768

China

Armorlink SH Corp.

TEL : +86-21-54429000 FAX : +86-21-54429100
sales@ieiworld.com.cn www.ieiworld.com.cn
No.515, Shenfu Road, Minhang District, Shanghai, China