

# TARZAN® AC

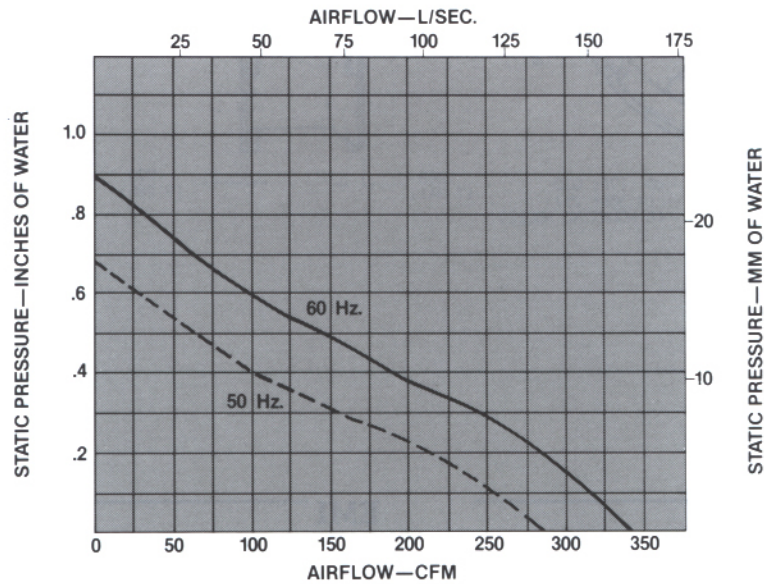
## TUBEAXIAL FAN

### FEATURES

- Size - 6.91" square x 4.40" deep (175.5 mm x 111.8 mm)
- 340 CFM (160 L/Sec.)
- 115 VAC or 220/230 VAC, 1 phase, 50/60 Hz
- Operating temperature range: -18°C to +60°C
- Weight - 5 lbs. (2.27 Kg)
- UL Yellow Card Recognized - File No. E31293
- CSA Certified - File No. LR52898



### PERFORMANCE



### SPECIFICATIONS

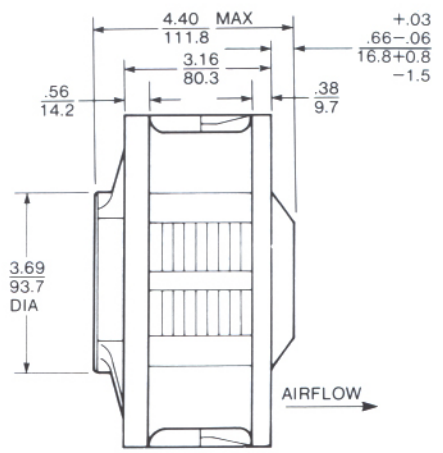
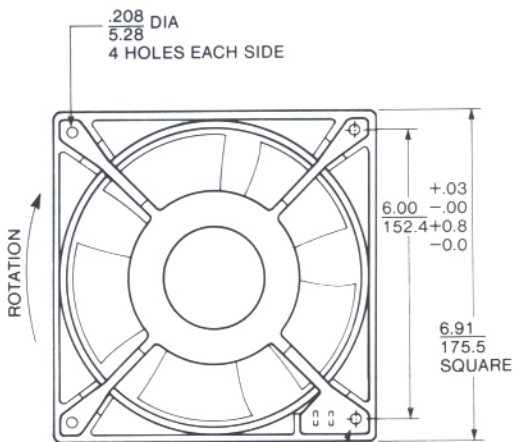
#### LEADWIRES

#### TERMINALS

Model No.	Part No.	Model No.	Part No.	Bearing	Volts	Hz	Watts	Line Amps	Locked Rotor Amps	RPM	CFM	L/Sec.
*TN3C2	020169	*TN3A2	020174	Ball	115	50/60	90/85	1.4/1.2	2.4/2.0	2820/3350	280/340	132/160
*TN3C3	020177	*TN3A3	020172	Ball	220/230	50/60	82/85	.65/.60	1.1/.98	2820/3350	280/340	132/160

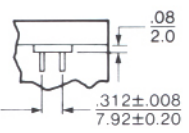
\*Distributor Item.

All figures are nominal free delivery values at sea level.



2 SOLDER TERMINALS  
 .31 LONG  
 7.9  
 .125±.002 WIDE  
 3.2 ±0.05  
 .020±.002 THICK  
 0.5 ±0.05  
 (WILL FIT PLUG  
 AND CORD #428056 OR 550440)

THIS MOUNTING HOLE CAN  
 BE USED FOR GROUND



OPTIONAL:  
 2 LEADS 11.00  
 279.4  
 MIN. LONG,  
 18 AWG,  
 STRIPPED  
 .50 ±.12  
 12.7± 3

Suggested Mounting - Recommended cutout diameter in customer panel is 6.75  
 171.4

DIMENSIONS: in ±  
 mm ±  
 TOLERANCES: .xx= .03  
 0.8  
 .xxx=.010  
 (UNLESS NOTED) .25

Specifications subject to change without notice.

## MOTOR

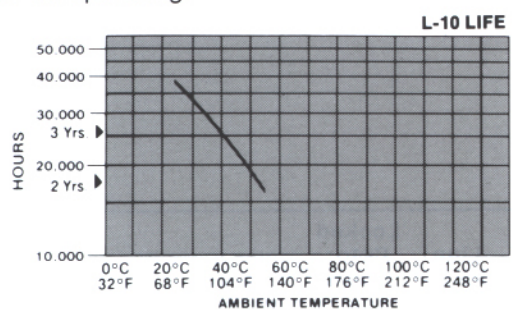
Two-pole shaded pole induction motor.  
 Class A insulation.  
 Automatic reset Thermal protector.  
 Sealed ball bearings.  
 100% dielectric tested at 1800 VAC/1 sec./500 microamps  
 maximum leakage.

## CONSTRUCTION

Venturi - Injection molded of flame retardent  
 Thermoset plastic (phenolic), black.  
 Propeller - Injection molded of flame retardent  
 polycarbonate, black.

## LIFE EXPECTANCY

The curve represents the continuous duty life of Tarzan fans at a given temperature after which 90% of the units will still be operating.



EXAMPLE: When run at 40°C ambient, 90% of units will still be running after 25,000 continuous hours.

## ACOUSTIC RATINGS

Models	HZ	AIR FLOW		STATIC PRESSURE		PER INCE ANSI S12.11-1987			FREELY SUSPENDED @ 1 METER
		CFM	L/Sec	"w.g.	mm H <sub>2</sub> O	PSIL dB	SPL dBA @ 3'	NEPL Bels 'A'	dBA
TN3A2 TN3C2	50	280	131.8	0	0	56.5	61.8	7.18	61.6
		168.4	79.5	0.270	6.90	54.9	60.1	7.01	
TN3A3 TN3C3	60	340	155.6	0	0	60.5	66.5	7.65	65.4
		207.9	98.1	0.343	8.70	58.4	63.6	7.36	

## OPTIONS

Capable of furnishing:  
 Terminals or leadwires  
 Harness assemblies